



# THE PROFESSIONAL RANGE

Parts Lists

**MODEL: DCS-RG-364GL**  
**PRODUCT CODE: 234484**





## PRODUCT

<b>Brand</b>	DCS
<b>Voltage</b>	110V 60Hz
<b>Model</b>	DCS-RG-364GL
<b>Product Code</b>	234484

**Fisher & Paykel Appliances**  
5900 Skylab Road, Huntington Beach,  
CA 92647  
Customer Care: (888) 281-5698  
Fax: (714) 372-7003  
[www.dcsappliances.com](http://www.dcsappliances.com)  
[support@dcsappliances.com](mailto:support@dcsappliances.com)

COPYRIGHT® FISHER & PAYKEL LTD 2006 - ALL RIGHTS RESERVED



## CONTENTS

BODY COMPONENTS.....	6
BACK GUARD COMPONENTS .....	8
TOP BURNER COMPONENTS .....	10
GRILL COMPONENTS .....	12
OVEN/BROILER COMPONENTS .....	14

### GUIDE TO USING THIS MANUAL

The model covered by this manual is listed on the front cover.

The information detailed in this manual is subject to change without notice. The latest version is indicated by the reprint date and replaces any earlier editions.

The front cover picture shows the type of product and may not necessarily be an exact image of the model covered by the manual.

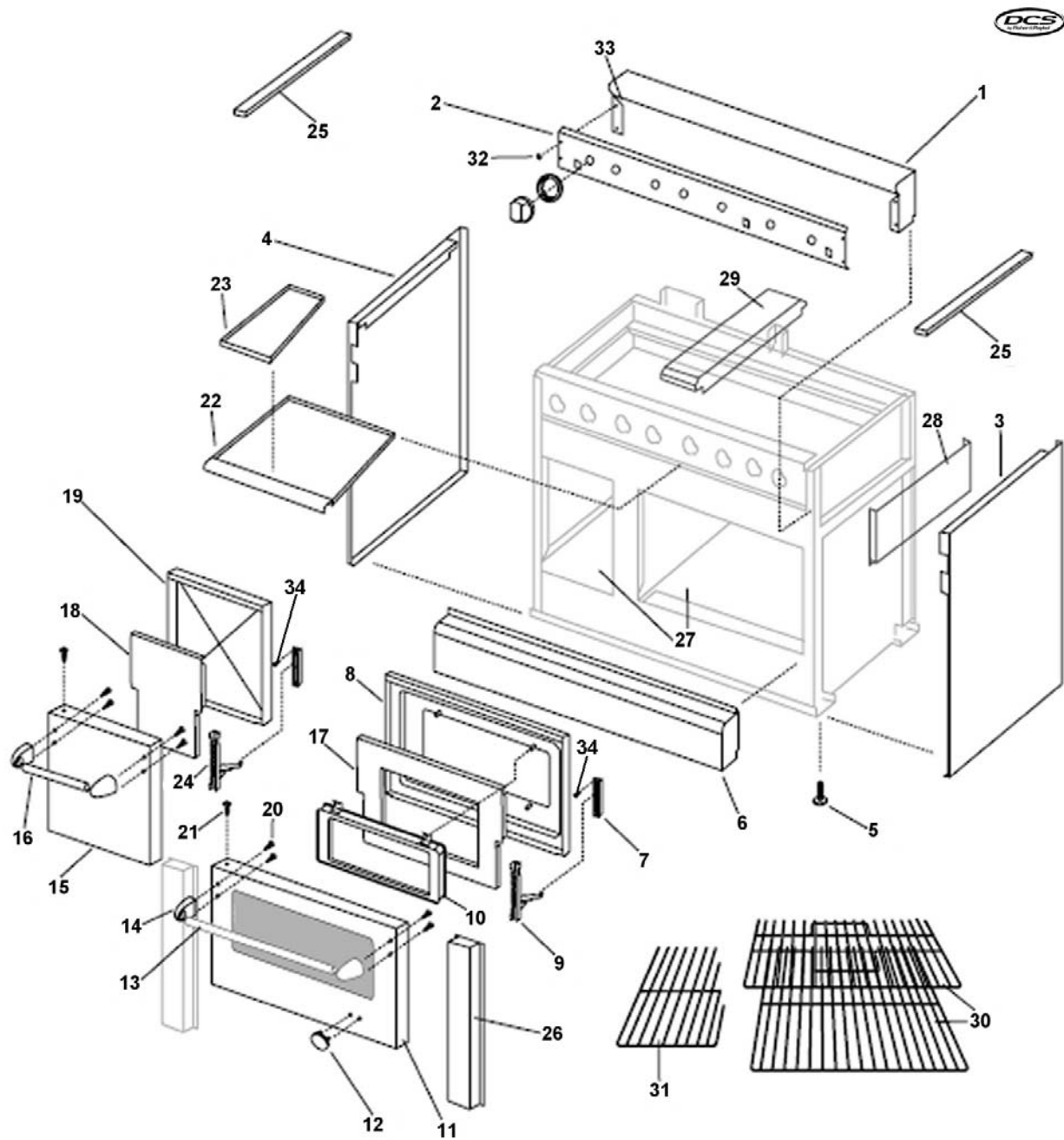
### Kit Parts

Kit components are shown in *italics*. Where a part number is shown against the descriptions for these kit components, they are also available as separate items. In addition, some parts may be supplied with these kits that are not available as separate items, and are therefore either not listed, or a part number is not shown against the part description in this manual.

### Parts List Key

<i>italics</i>	Kit components or parts included are shown in <i>italics</i> . Refer to above notes: Kit Parts.
NI	As a part reference, indicates the part is not illustrated on the diagram.
NOT USED	As a part number, indicates the diagram part reference is not used in this manual.

## BODY COMPONENTS



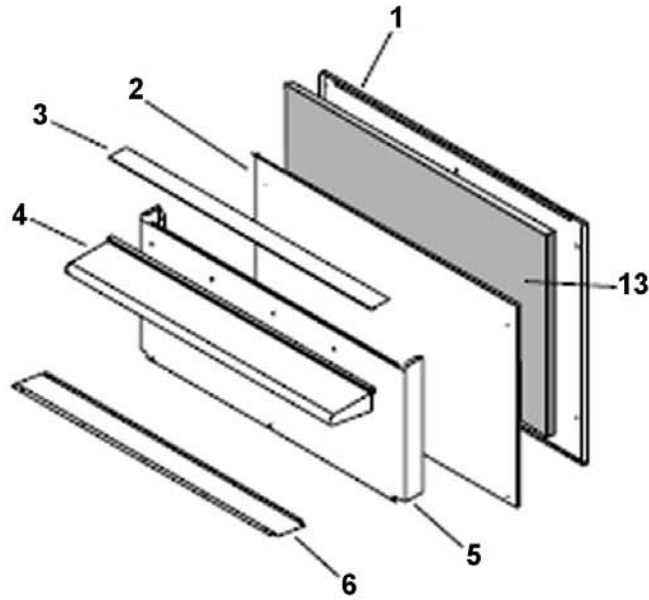
## BODY COMPONENTS

REF	PART	DESCRIPTION
1	215720	LANDING LEDGE W/A 36
2	215713	VALVE PANEL RG-364GL PTD
3	215917	BODY PANEL R/H 36
4	215918	BODY PANEL L/H 36
5	212177	LEG LEVEL
6	215920	KICKPLATE W/A 36
7	211346	RECEPTACLE NUOVA STAR
8	215853	DOOR LINER W/A PORC RD
9	211344	30 DOOR HINGE NUOVA STAR
10	211020	MILLS WINDOW PACK
11	219352	KIT OUTSIDE DOOR PANEL 27 SS
NI	215814	DOOR ASSY 27
12	211926	LOGO LARGE 96 BLACK OVAL
13	215856	HANDLE 27
14	212245	END CAP DOOR HANDLE PLATED
15	NOT USED	
16	NOT USED	
17	216625	RETAINER INSUL. 27
18	NOT USED	
19	NOT USED	
20	211253	MS 1/4-20X3/8 SL HX HD WH TY F
21	218131	SM 10X3/4 PH TRHD TY ABN (10 PK)
22	215911	DRIP PAN 36
	215912	DRIP PAN HANDLE W/A 36
23	213377	DRIP PAN BROILER & GRIDDLE
24	NOT USED	
25	215660	SIDE TRIM R/H
	215659	SIDE TRIM L/H
26	NOT USED	ITEM NOT USED IN THIS MODEL
27	215881	OV BTM LINER W/A 27 PORC.
28	215655	SIDE INSUL RET 36 L/H
	215656	SIDE INSUL RET 36 R/H
29	215791	SPACER GRATE SUPPORT
30	212402	OVEN RACK-30
	212404	OVEN RACK BROIL GCRG36
31	NOT USED	ITEM NOT USED IN THIS MODEL
32	211300P	MS 8-32X1 TORX FLT SS (10 PK)
33	211410P	NUT W/RET 8-32 (10 PK)
34	211284	MS 10-32X5/8 PH RD HD ZH
NI	210987	GASKET DOOR 30

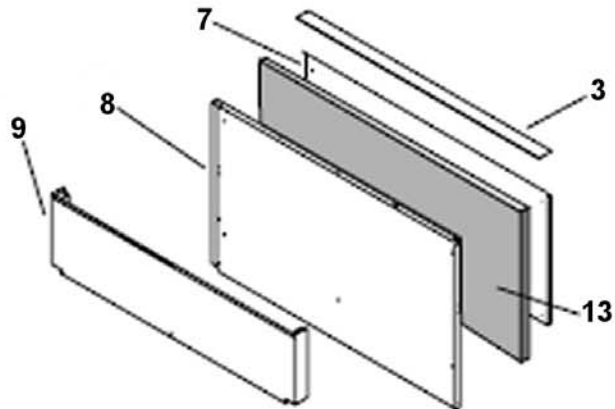
# BACK GUARD COMPONENTS



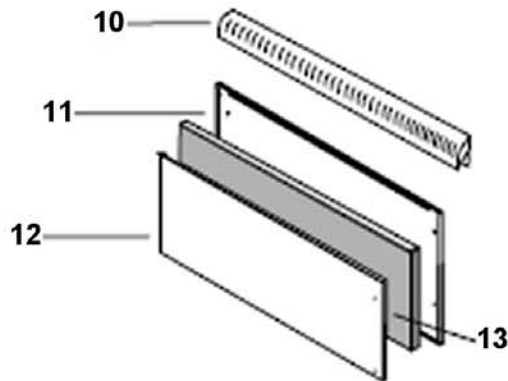
## HIGH SHELF BACKGUARD



## LOW BACK BACKGUARD



## ISLAND TRIM BACKGUARD

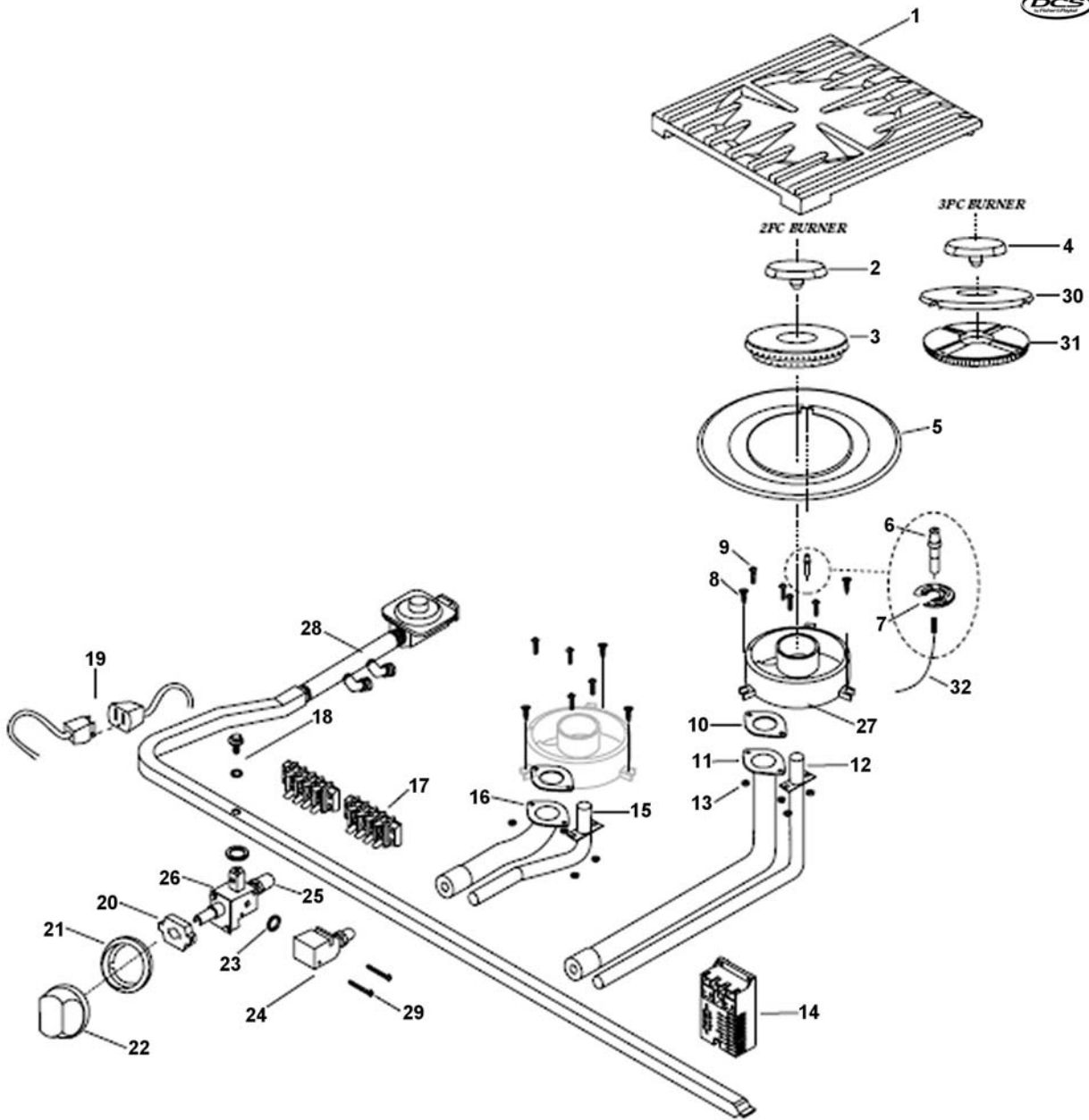




## BACK GUARD COMPONENTS

REF	PART	DESCRIPTION
1	215690	BACK SHEET H/S 48
2	215687	RETAINER INSUL. H/S 36
3	215637	TOP COVER 36
4	215960	HIGH SHELF W/A 36
5	215682	FRONT SHEET H/S 36
6	230519	SHELF BTM ENCLO W/NUTSERT 36
7	215632	BACK SHEET LB 36R
8	215629	RETAINER INSUL. LB 36R
9	215624	FRONT SHEET LB 36R
10	215969	TOP WELD ASSY 36 ISLAND TRIM
11	215975	BACK SHEET 36 ISLAND TRIM
12	215980	INSUL RETAINER 36 ISLAND TRIM
13	216410	INSULATION CUT

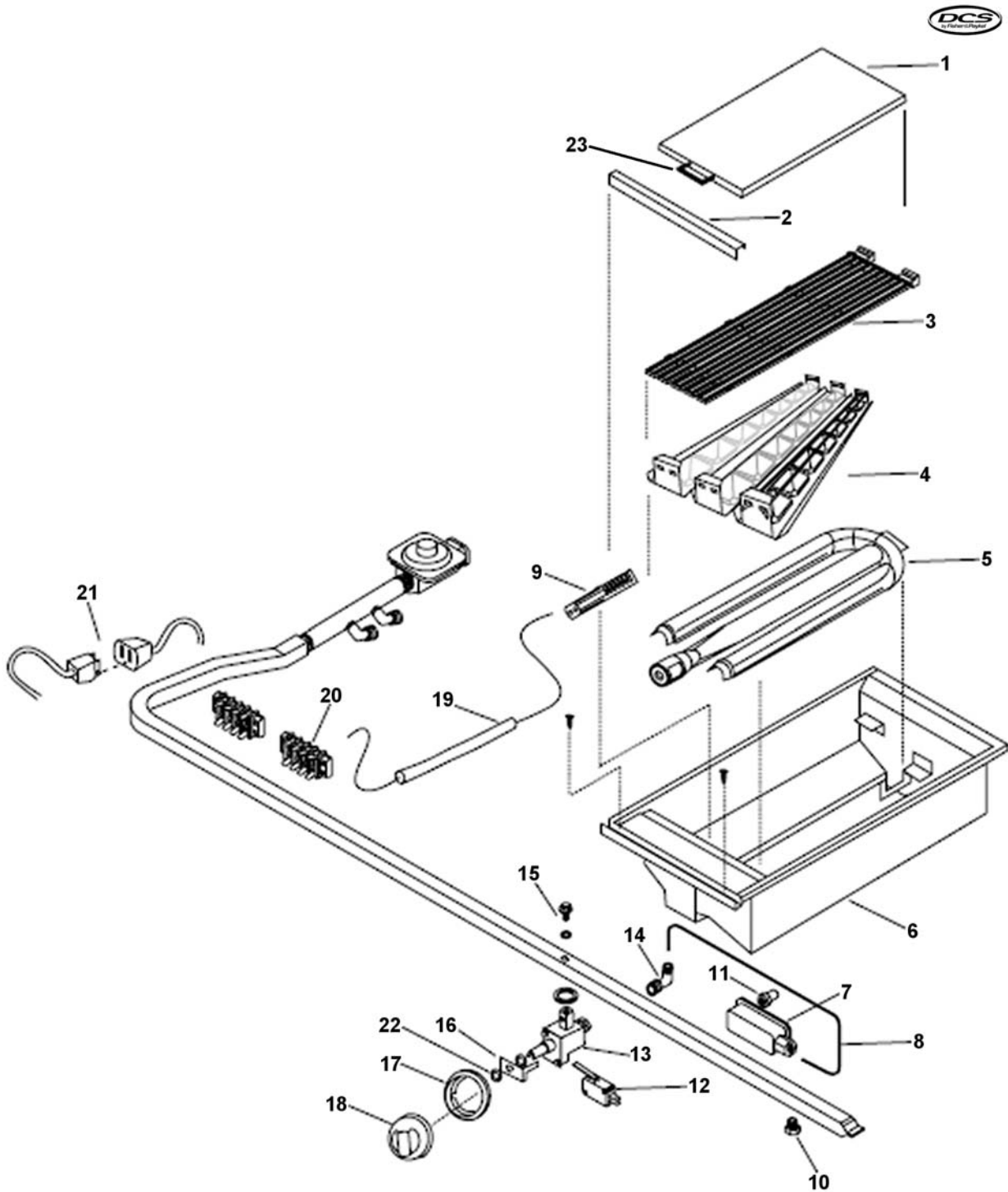
# TOP BURNER COMPONENTS



## TOP BURNER COMPONENTS

REF	PART	DESCRIPTION
1	210437	TOP GRATE HALF
NI	218137	MS 8-32X1 PH TRUSS HD S/S (10 PK)
2	210458	CAP SIMMER TUBE PORC
3	210462	BURNER CAP PORC
4	210429	CAP SIMMER TUBE PORC
5	210430	AERATION BOWL PORC.
6	210390P	ELECTRODE PKD
7	217923	SPRING CLIP (10 PK)
8	218131	SM 10X3/4 PH TRHD TY ABN (10 PK)
9	211287P	MS 10-24X3/4 PH TR HD SS (10 PK)
10	210930	BURNER HEAD GASKET
11	210438	MAIN VENTURI REAR
12	215787	SIM VENTURI W/A REAR PLATED
13	218147	NUT HEX 10-24 SS (10 PK)
14	210828	SPARK MODULE RI 120-E4
15	215789	SIM VENTURI W/A FRONT PLATED
16	210439	MAIN VENTURI FRONT
17	211540	TERMINAL BLOCK
18	211454	SCREW (HARPER WYMAN VALVE&PLUG)
19	211592	POWER CORD ASSY
20	210801	SPARK IGNITION SW.
21	210935	BEZEL, CHROME PLATED
22	211011	KNOB SIMMER BURNER
23	211010	O RING SIMMER BLOCK
24	210800	SIMMER BLOCK
NI	210710P	ORIFICE #79 (PKD)
NI	210707P	ORIFICE #75 (PKD)
25	210694P	ORIFICE #58 #9701B1658 (PKD)
25	218012	ORIFICE - ROTIS #51 NG (PKD)
26	210817	VALVE SIMMER
27	210461	BURNER BASE DIECAST
28	212252	OVEN FEED ADAPTER
29	211269	MS 4-40X1 PH RD HD ZN
30	210428	SIMMER BURNER CAP
31	210451	RING SIMMER BURNER
32	211632	WIRE HARNESS 4 OTB
NI	211269	MS 4-40X1 PH RD HD ZN
NI	215763	BURNER HANGER
NI	215679	BRKT GRATE SUPPORT .75 WIDE
NI	215677	BRKT GRATE SUPPORT 1.5 WIDE

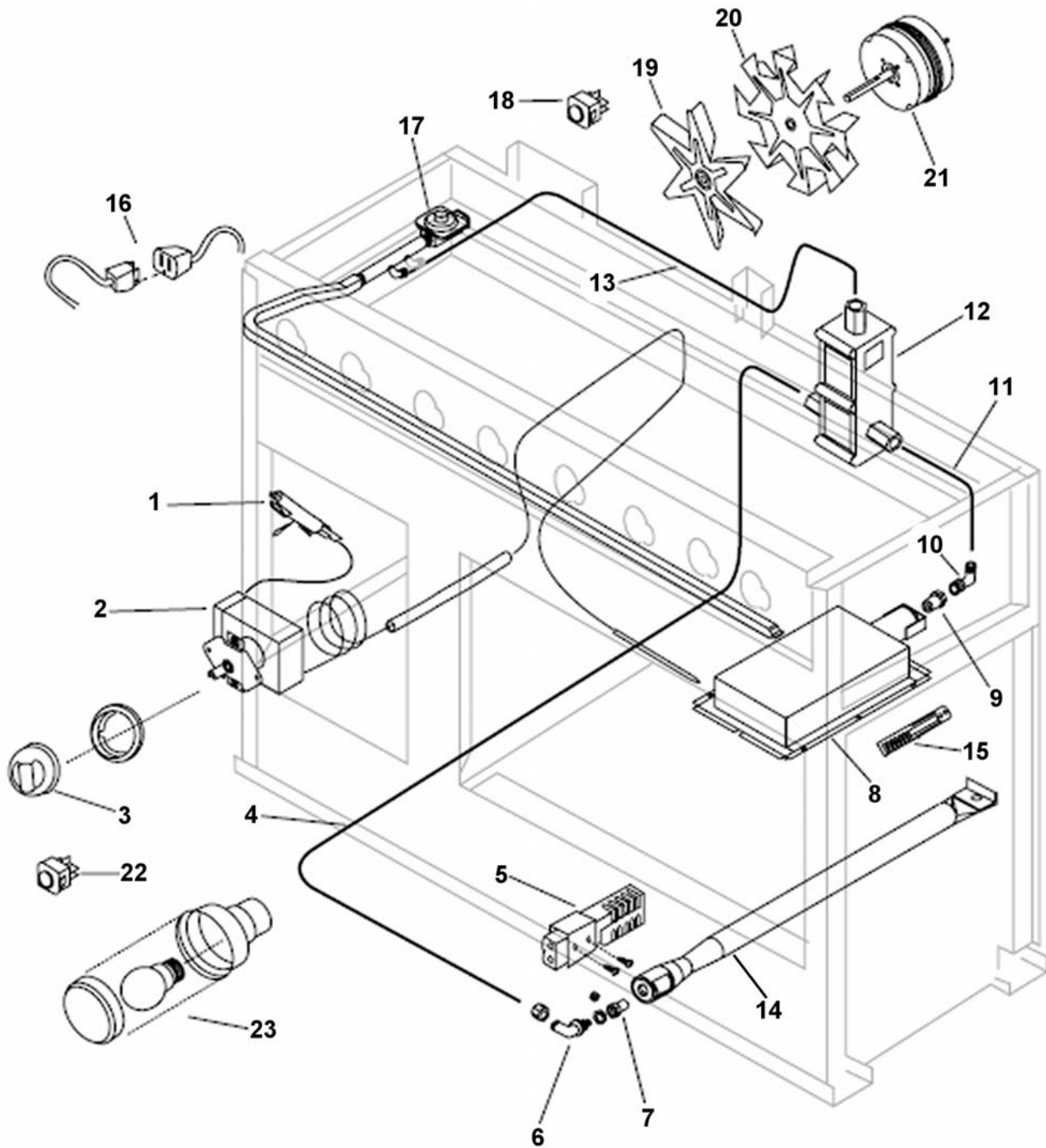
# GRILL COMPONENTS



## GRILL COMPONENTS

REF	PART	DESCRIPTION
1	215990	GRILL COVER ASSY. DCS
2	215877	GRILL FRONT TRIM COVER
3	210466	CAST IRON GRATE
4	216000	LAVA ROCK TRAY ASSY
5	210459	U-BURNER GE
6	216305	GRILL BOX W/A GE
7	210803	SINGLE THERMAL VALVE (18K) NAT
	210804	SINGLE THERMAL VALVE (18K) LP
8	215646	TUBING GRILL
9	211541	IGNITER - (SMALL)
10	212247	PIPE PLUG BRASS SQ. MANIFOLD
11	210684P	ORIFICE #48 (PKD)
	210691P	ORIFICE #55 GRILL (PKD)
12	211530	MICRO SWITCH
13	210798	VALVE STANDARD
14	212149	ELBOW 3/8 T.O.D. - 3/8 (F)
15	211454	SCREW (HARPER WYMAN VALVE&PLUG)
16	215997	CAM GRILL SW.
17	210935	BEZEL, CHROME PLATED
18	211019	KNOB-GRILL
19	211593	FIBER GLASS SLEEVE -1/2
20	211540	TERMINAL BLOCK
21	211592	POWER CORD ASSY
22	211458	SPEED CLIP GRILL CAM SWITCH
23	210974	PULL HANDLE-36/48 BBQ 131/132
NI	218131	SM 10X3/4 PH TRHD TY ABN (10 PK)

# OVEN/BROILER COMPONENTS



DWG000642 20 JULY 2006

## OVEN BROILER COMPONENTS

REF	PART	DESCRIPTION
1	211571	PILOT LIGHTS
2	210779	THERMOSTAT OVEN BROIL
3	211015	KNOB THERMOSTAT BAKE/BROIL
4	215647	TUBING DUAL VALVE TO OVEN BURN
5	211541	IGNITER - (SMALL)
6	212139P	ELBOW 3/8-27-9/16-24 (PKD)
7	210674	ORIFICE # 38
	210688P	ORIFICE #52 (PKD)
8	214645	I/R BURNER - ASSY.
9	210683P	ORIFICE #47 (PKD)
	210691P	ORIFICE #55 GRILL (PKD)
10	212139P	ELBOW 3/8-27-9/16-24 (PKD)
11	215648	TUBING DUAL VALVE TO I/R BURN
12	210782	DUAL THERMAL GAS VALVE
13	215651	TUBING MANIFOLD TO DUAL VALVE
14	210361	OVEN BURNER C.R.
15	211542	IGNITER I/R (LARGE)
16	211536	LINE CORD-COOK TOP
17	210663	REGULATOR LP/NG
18	211625	LIGHT SWITCH
19	211631	BLADE.ASSY.RG CONVECTION FAN
20	211580	MOTOR COOLING BLADE
21	211750	CONVECTION MOTOR R/H
22	211625	LIGHT SWITCH
23	211576	LENS - LAMP
NI	214689	CLAMP IGNITER W/A (BROIL)