



THE PROFESSIONAL RANGE

Parts Lists

MODEL: DCS-RG-366
PRODUCT CODE: 234486



PRODUCT

Brand	DCS
Voltage	110V 60Hz
Model	DCS-RG-366
Product Code	234486

Fisher & Paykel Appliances
5900 Skylab Road, Huntington Beach,
CA 92647
Customer Care: (888) 281-5698
Fax: (714) 372-7003
www.dcsappliances.com
support@dcsappliances.com

CONTENTS

BODY COMPONENTS.....	6
BACK GUARD COMPONENTS	8
TOP BURNER COMPONENTS	10
OVEN/BROILER COMPONENTS	12

GUIDE TO USING THIS MANUAL

The model covered by this manual is listed on the front cover.

The information detailed in this manual is subject to change without notice. The latest version is indicated by the reprint date and replaces any earlier editions.

The front cover picture shows the type of product and may not necessarily be an exact image of the model covered by the manual.

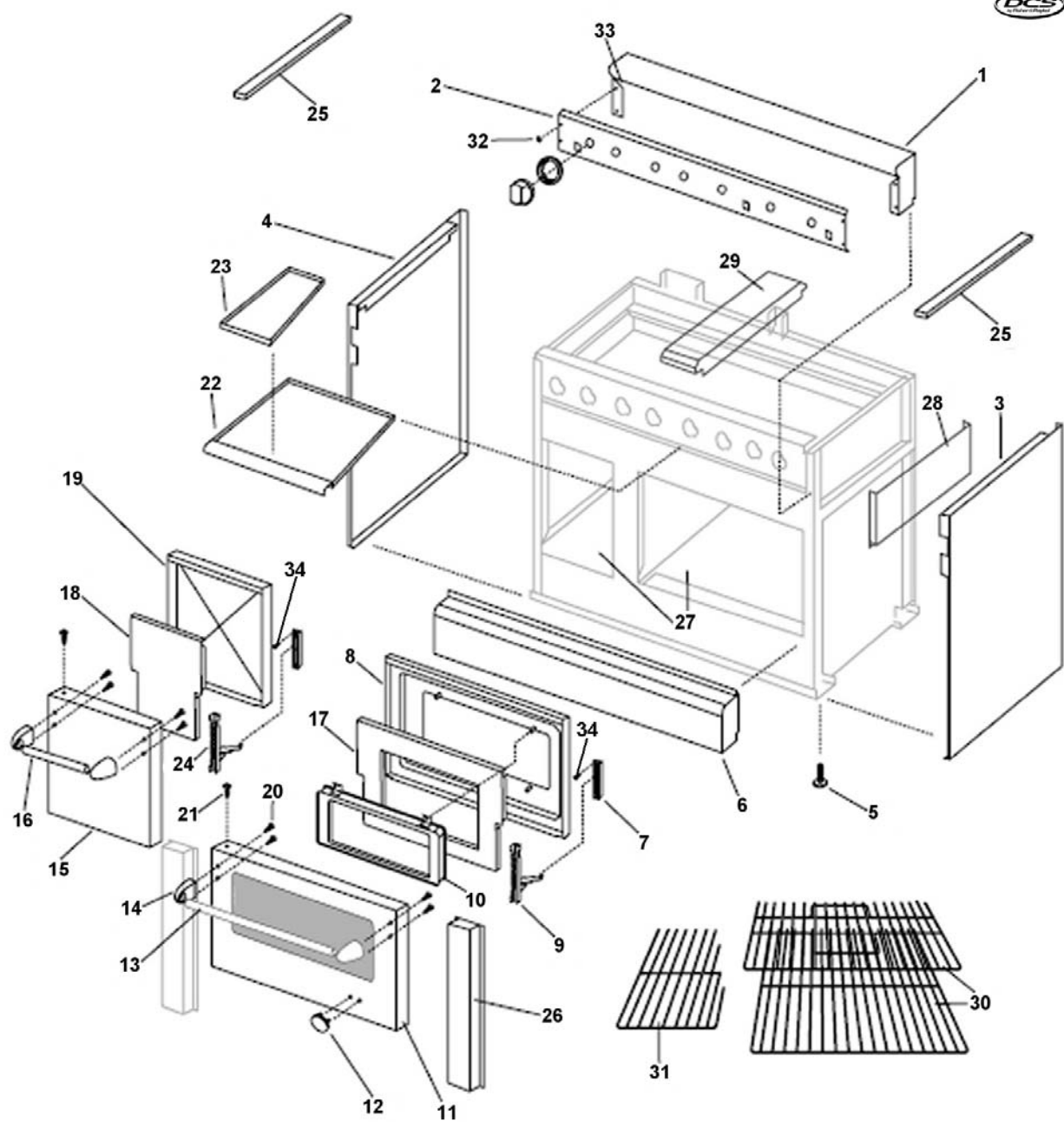
Kit Parts

Kit components are shown in *italics*. Where a part number is shown against the descriptions for these kit components, they are also available as separate items. In addition, some parts may be supplied with these kits that are not available as separate items, and are therefore either not listed, or a part number is not shown against the part description in this manual.

Parts List Key

<i>italics</i>	Kit components or parts included are shown in <i>italics</i> . Refer to above notes: Kit Parts.
NI	As a part reference, indicates the part is not illustrated on the diagram.
NOT USED	As a part number, indicates the diagram part reference is not used in this manual.

BODY COMPONENTS



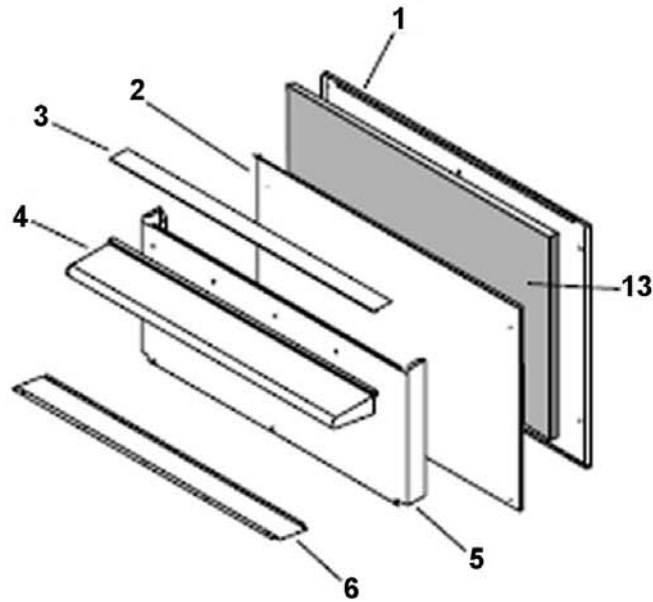
BODY COMPONENTS

REF	PART	DESCRIPTION
1	215720	LANDING LEDGE W/A 36
2	215712	VALVE PANEL RG-366
3	215917	BODY PANEL R/H 36
4	215918	BODY PANEL L/H 36
5	212177	LEG LEVEL
6	215920	KICKPLATE W/A 36
7	211346	RECEPTACLE NUOVA STAR
8	215853	DOOR LINER W/A PORC RD
9	211344	30 DOOR HINGE NUOVA STAR
10	211020	MILLS WINDOW PACK
11	219352	KIT OUTSIDE DOOR PANEL 27 SS
NI	215814	DOOR ASSY 27
12	211926	LOGO LARGE 96 BLACK OVAL
13	215856	HANDLE 27
14	212245	END CAP DOOR HANDLE PLATED
15	NOT USED	ITEM NOT USED IN THIS MODEL
16	NOT USED	ITEM NOT USED IN THIS MODEL
17	216625	RETAINER INSUL. 27
18	NOT USED	ITEM NOT USED IN THIS MODEL
19	NOT USED	ITEM NOT USED IN THIS MODEL
20	211253	MS 1/4-20X3/8 SL HX HD WH TY F
21	218131	SM 10X3/4 PH TRHD TY ABN (10 PK)
22	215911	DRIP PAN 36
	215912	DRIP PAN HANDLE W/A 36
23	213377	DRIP PAN BROILER & GRIDDLE
24	NOT USED	ITEM NOT USED IN THIS MODEL
25	215660	SIDE TRIM R/H
	215659	SIDE TRIM L/H
26	NOT USED	ITEM NOT USED IN THIS MODEL
27	215881	OV BTM LINER W/A 27 PORC.
28	215663	INSUL RET SIDE C/T L/H
	215664	INSUL RET SIDE C/T R/H
29	215791	SPACER GRATE SUPPORT
30	212402	OVEN RACK-30
	212404	OVEN RACK BROIL GCRG36
31	212404	OVEN RACK BROIL GCRG36
32	211300P	MS 8-32X1 TORX FLT SS (PKT 10)
33	211410P	NUT W/RET 8-32 (PKT 10)
34	211284	MS 10-32X5/8 PH RD HD ZH
NI	210987	GASKET DOOR 30

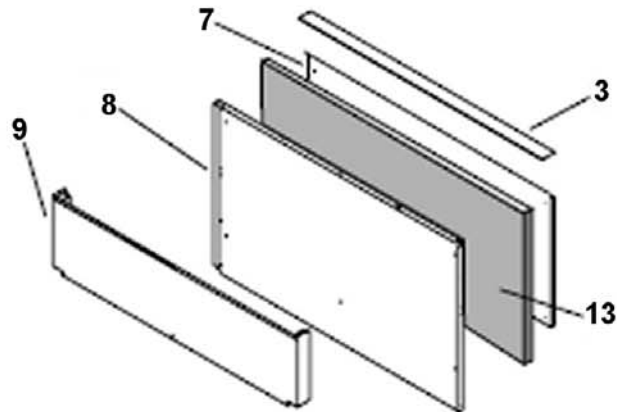
BACK GUARD COMPONENTS



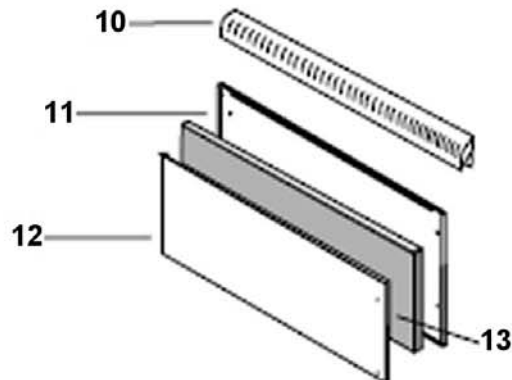
HIGH SHELF BACKGUARD



LOW BACK BACKGUARD



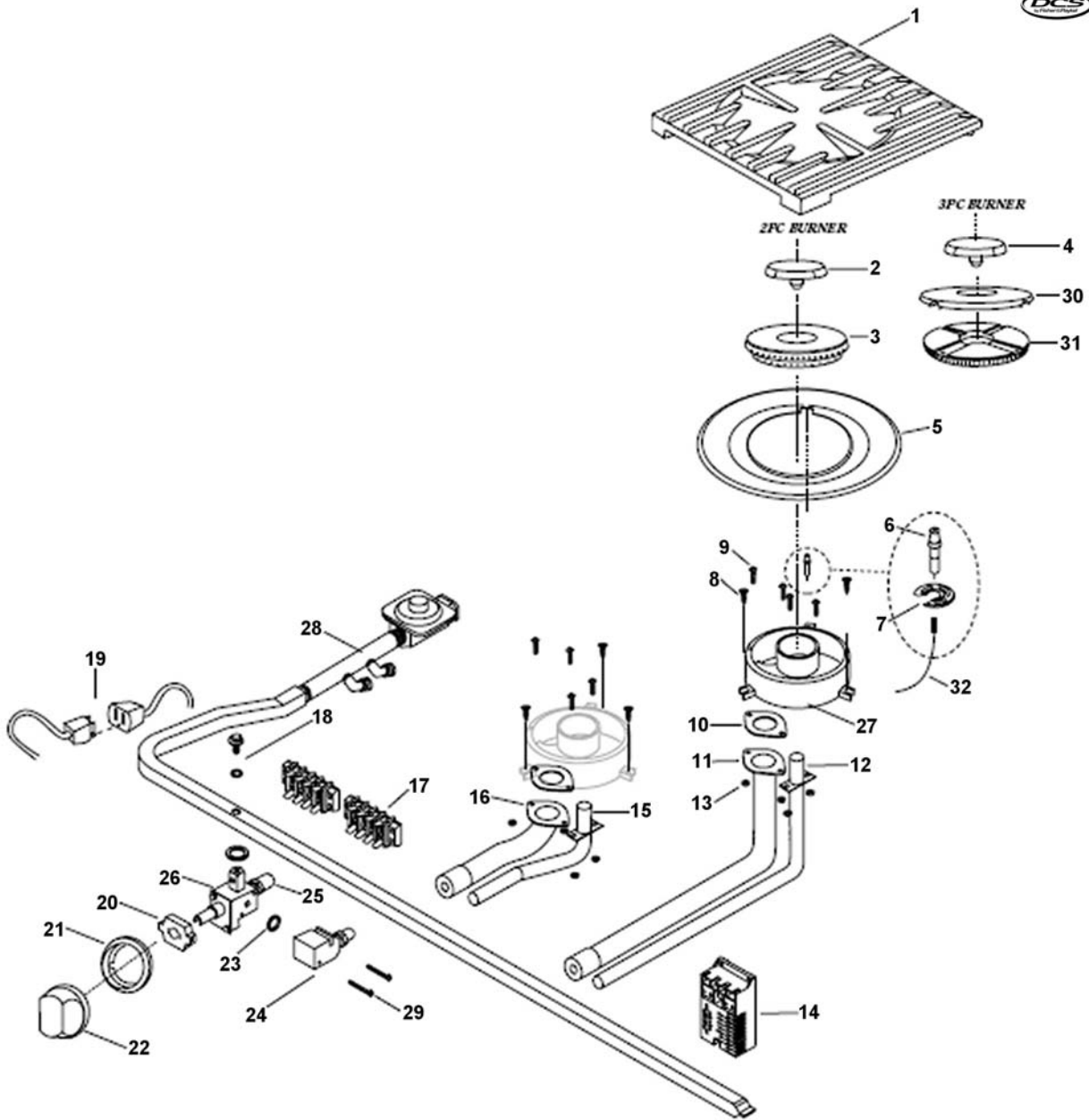
ISLAND TRIM BACKGUARD



BACK GUARD COMPONENTS

REF	PART	DESCRIPTION
1	215690	BACK SHEET H/S 48
2	215687	RETAINER INSUL. H/S 36
3	215637	TOP COVER 36
4	215960	HIGH SHELF W/A 36
5	215682	FRONT SHEET H/S 36
6	230519	SHELF BTM ENCLO W/NUTSERT 36
7	215632	BACK SHEET LB 36R
8	215629	RETAINER INSUL. LB 36R
9	215624	FRONT SHEET LB 36R
10	215969	TOP WELD ASSY 36 ISLAND TRIM
11	215975	BACK SHEET 36 ISLAND TRIM
12	215980	INSUL RETAINER 36 ISLAND TRIM
13	216410	INSULATION CUT

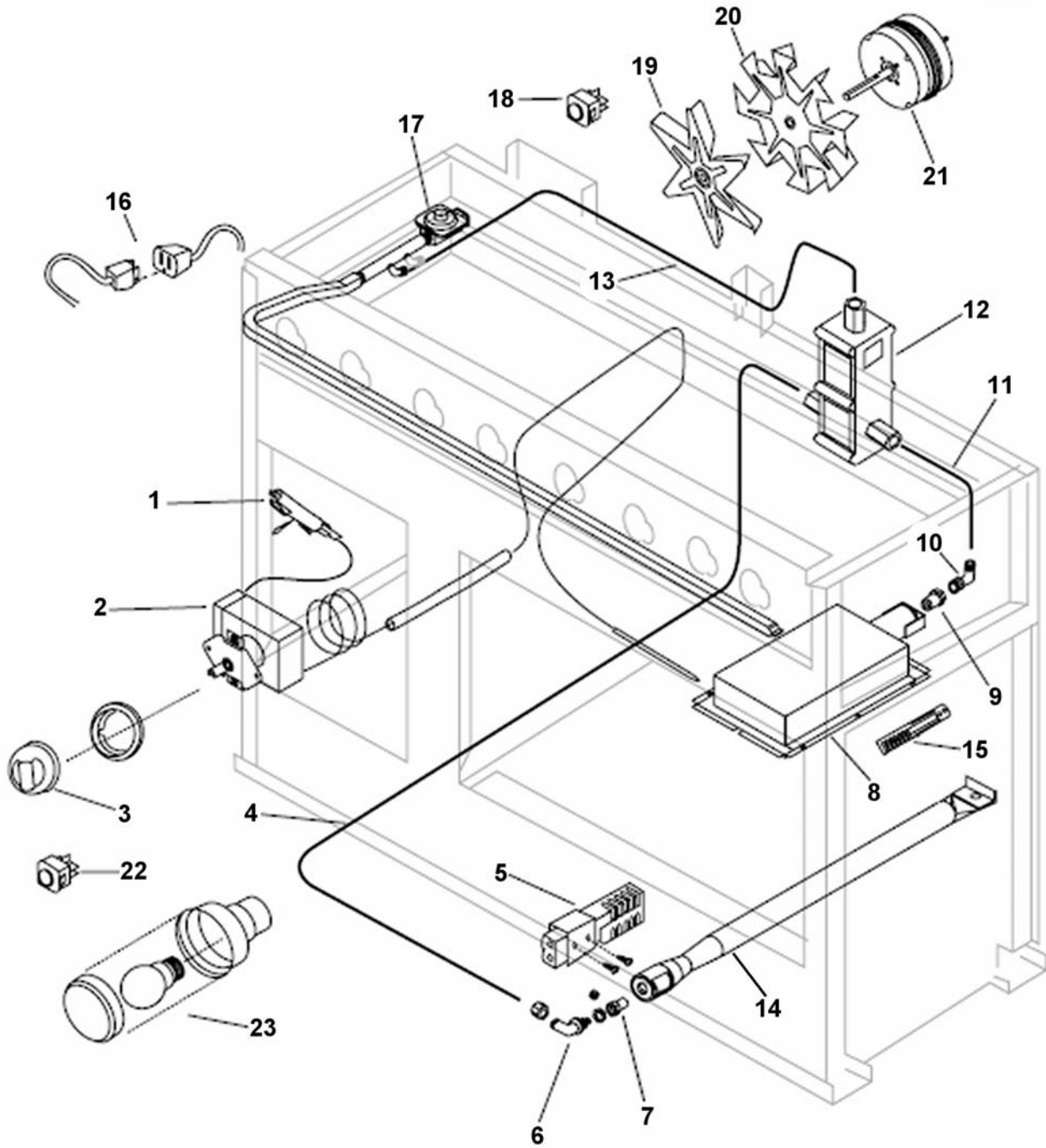
TOP BURNER COMPONENTS



TOP BURNER COMPONENTS

REF	PART	DESCRIPTION
1	210437	TOP GRATE HALF
NI	218137	MS 8-32X1 PH TRUSS HD S/S(10 PK)
2	210458	CAP SIMMER TUBE PORC
3	210462	BURNER CAP PORC
4	210429	CAP SIMMER TUBE PORC
5	210430	AERATION BOWL PORC.
6	210390P	ELECTRODE PKD
7	217923	SPRING CLIP (10 PK)
8	218131	SM 10X3/4 PH TRHD TY ABN (10 PK)
9	211287P	MS 10-24X3/4 PH TR HD SS (10 PK)
10	210930	BURNER HEAD GASKET
11	210438	MAIN VENTURI REAR
12	215787	SIM VENTURI W/A REAR PLATED
13	218147	NUT HEX 10-24 SS (10 PK)
14	210828	SPARK MODULE RI 120-E4
15	215789	SIM VENTURI W/A FRONT PLATED
16	210439	MAIN VENTURI FRONT
17	211540	TERMINAL BLOCK
18	211454	SCREW (HARPER WYMAN VALVE&PLUG)
19	211592	POWER CORD ASSY
20	210801	SPARK IGNITION SW.
21	210935	BEZEL, CHROME PLATED
22	211011	KNOB SIMMER BURNER
23	211010	O RING SIMMER BLOCK
24	210800	SIMMER BLOCK
NI	210710P	ORIFICE #79 (PKD)
NI	210707P	ORIFICE #75 (PKD)
25	210694P	ORIFICE #58 #9701B1658 (PKD)
	218012	ORIFICE - ROTIS #51 NG (PKD)
26	210817	VALVE SIMMER
27	210461	BURNER BASE DIECAST
28	212252	OVEN FEED ADAPTER
29	211269	MS 4-40X1 PH RD HD ZN
30	210428	SIMMER BURNER CAP
31	210451	RING SIMMER BURNER
32	211632	WIRE HARNESS 4 OTB
NI	211269	MS 4-40X1 PH RD HD ZN
NI	215763	BURNER HANGER
NI	215679	BRKT GRATE SUPPORT .75 WIDE
NI	215677	BRKT GRATE SUPPORT 1.5 WIDE

OVEN/BROILER COMPONENTS



DWG000642 20 JULY 2006

OVEN/BROILER COMPONENTS

REF	PART	DESCRIPTION
1	211571	PILOT LIGHTS
2	210779	THERMOSTAT OVEN BROIL
3	211015	KNOB THERMOSTAT BAKE/BROIL
4	215647	TUBING DUAL VALVE TO OVEN BURN
5	211541	IGNITER - (SMALL)
6	212139P	ELBOW 3/8-27-9/16-24 (PKD)
7	210674	ORIFICE # 38
	210688P	ORIFICE #52 (PKD)
8	214645	I/R BURNER - ASSY.
9	210683P	ORIFICE #47 (PKD)
9	210691P	ORIFICE #55 GRILL (PKD)
10	212139P	ELBOW 3/8-27-9/16-24 (PKD)
11	215648	TUBING DUAL VALVE TO I/R BURN
12	210782	DUAL THERMAL GAS VALVE
13	215651	TUBING MANIFOLD TO DUAL VALVE
14	210361	OVEN BURNER C.R.
15	211542	IGNITER I/R (LARGE)
16	211592	POWER CORD ASSY
17	210663	REGULATOR LP/NG
18	211625	LIGHT SWITCH
19	211631	BLADE.ASSY.RG CONVECTION FAN
20	211580	MOTOR COOLING BLADE
21	211750	CONVECTION MOTOR R/H
22	211625	LIGHT SWITCH
23	211576	LENS - LAMP
NI	214689	CLAMP IGNITER W/A (BROIL)