



THE PROFESSIONAL RANGE

Parts Lists

MODEL: DCS-RG-484GG
PRODUCT CODE: 234502



PRODUCT

Brand	DCS
Voltage	110V 60Hz
Model	DCS-RG-484GG
Product Code	234502

Fisher & Paykel Appliances
5900 Skylab Road, Huntington Beach,
CA 92647
Customer Care: (888) 281-5698
Fax: (714) 372-7003
www.dcsappliances.com
support@dcsappliances.com

CONTENTS

BODY COMPONENTS.....	6
BACK GUARD COMPONENTS	8
TOP BURNER COMPONENTS	10
GRIDDLE COMPONENTS.....	12
GRILL COMPONENTS	14
LARGE OVEN/BROILER COMPONENTS.....	16
SMALL OVEN COMPONENTS.....	18

GUIDE TO USING THIS MANUAL

The model covered by this manual is listed on the front cover.

The information detailed in this manual is subject to change without notice. The latest version is indicated by the reprint date and replaces any earlier editions.

The front cover picture shows the type of product and may not necessarily be an exact image of the model covered by the manual.

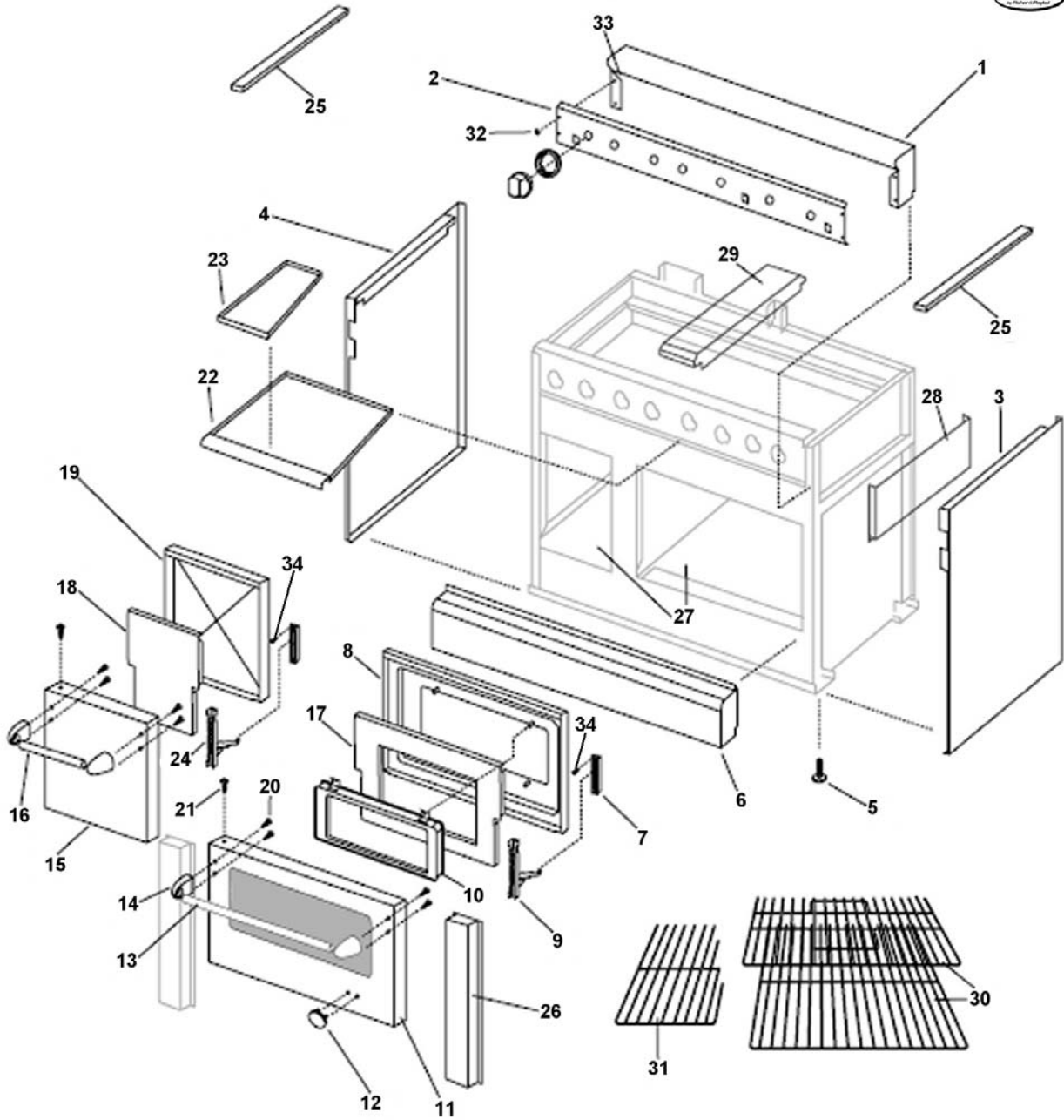
Kit Parts

Kit components are shown in *italics*. Where a part number is shown against the descriptions for these kit components, they are also available as separate items. In addition, some parts may be supplied with these kits that are not available as separate items, and are therefore either not listed, or a part number is not shown against the part description in this manual.

Parts List Key

<i>italics</i>	Kit components or parts included are shown in <i>italics</i> . Refer to above notes: Kit Parts.
NI	As a part reference, indicates the part is not illustrated on the diagram.
NOT USED	As a part number, indicates the diagram part reference is not used in this manual.

BODY COMPONENTS



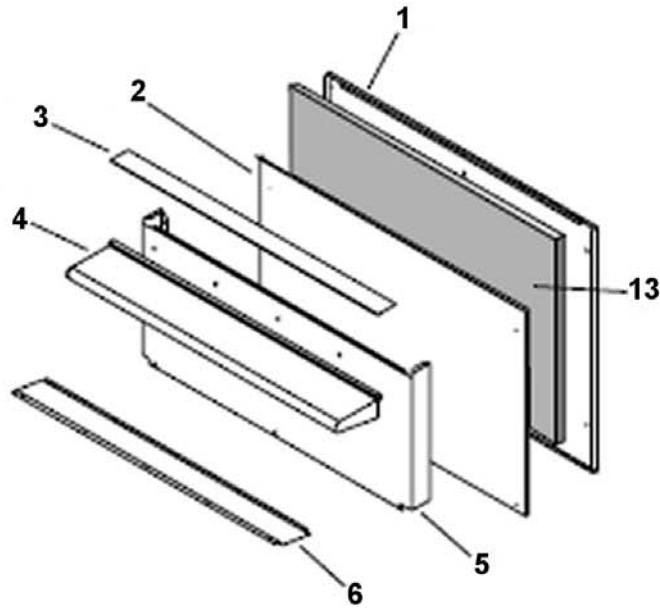
BODY COMPONENTS

REF	PART	DESCRIPTION
1	215719	LANDING LEDGE W/A 48
2	215706	VALVE PANEL RG484GG PTD
3	215694	BODY PANEL R/H
4	215695	BODY PANEL L/H
5	212177	LEG LEVEL
6	215792	KICK PLATE ASSY
7	211346	RECEPTACLE NUOVA STAR
8	215853	DOOR LINER W/A PORC RD
9	211344	30 DOOR HINGE NUOVA STAR
10	211020	MILLS WINDOW PACK
11	215724	OUTSIDE DOOR PANEL 27
NI	215814	DOOR ASSY 27
NI	215813	DOOR ASSY 12 RG
12	211926	LOGO LARGE 96 BLACK OVAL
13	215856	HANDLE 27
14	212245	END CAP DOOR HANDLE PLATED
15	216335	12 DOOR PANEL ASSY W/GLASS
16	215855	HANDLE 12
17	216625	RETAINER INSUL. 27
18	215737	RETAINER INSUL. 12
19	216112	DOOR LINER W/A 12 PORC
20	211253	MS 1/4-20X3/8 SL HX HD WH TY F
21	218131	SM 10X3/4 PH TRHD TY ABN (10 PK)
22	215671	DRIP PAN L/H
	215672	DRIP PAN R/H
	215889	DRIP PAN HANDLE W/A R/H
23	213377	DRIP PAN BROILER & GRIDDLE
24	211345	12 DOOR HINGE NUOVA STAR
25	215661	SIDE TRIM R/H
	215662	SIDE TRIM L/H
26	NOT USED	ITEM NOT USED IN THIS MODEL
27	215881	OV BTM LINER W/A 27 PORC.
	215883	OV BTM LINER W/A 12 PORC
28	215663	INSUL RET SIDE C/T L/H
	215664	INSUL RET SIDE C/T R/H
29	215791	SPACER GRATE SUPPORT
30	212402	OVEN RACK-30
	212404	OVEN RACK BROIL GCRG36
31	212403	OVEN RACK-12
32	211300P	MS 8-32X1 TORX FLT SS (PKT 10)
33	211410P	NUT W/RET 8-32 (PKT 10)
34	211284	MS 10-32X5/8 PH RD HD ZH
NI	210987	GASKET DOOR 30
NI	210989	GASKET DOOR 12

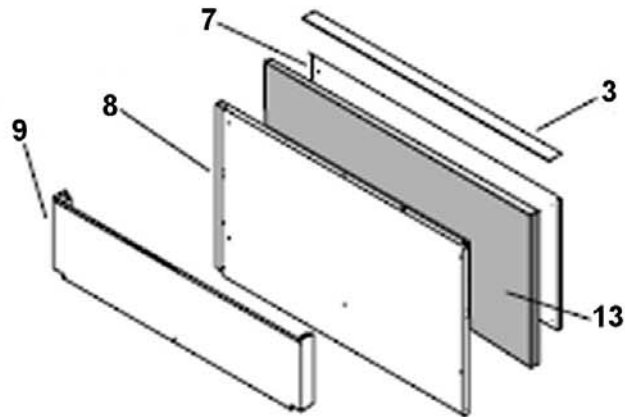
BACK GUARD COMPONENTS



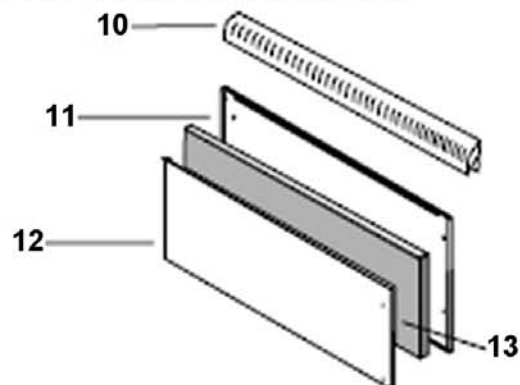
HIGH SHELF BACKGUARD



LOW BACK BACKGUARD



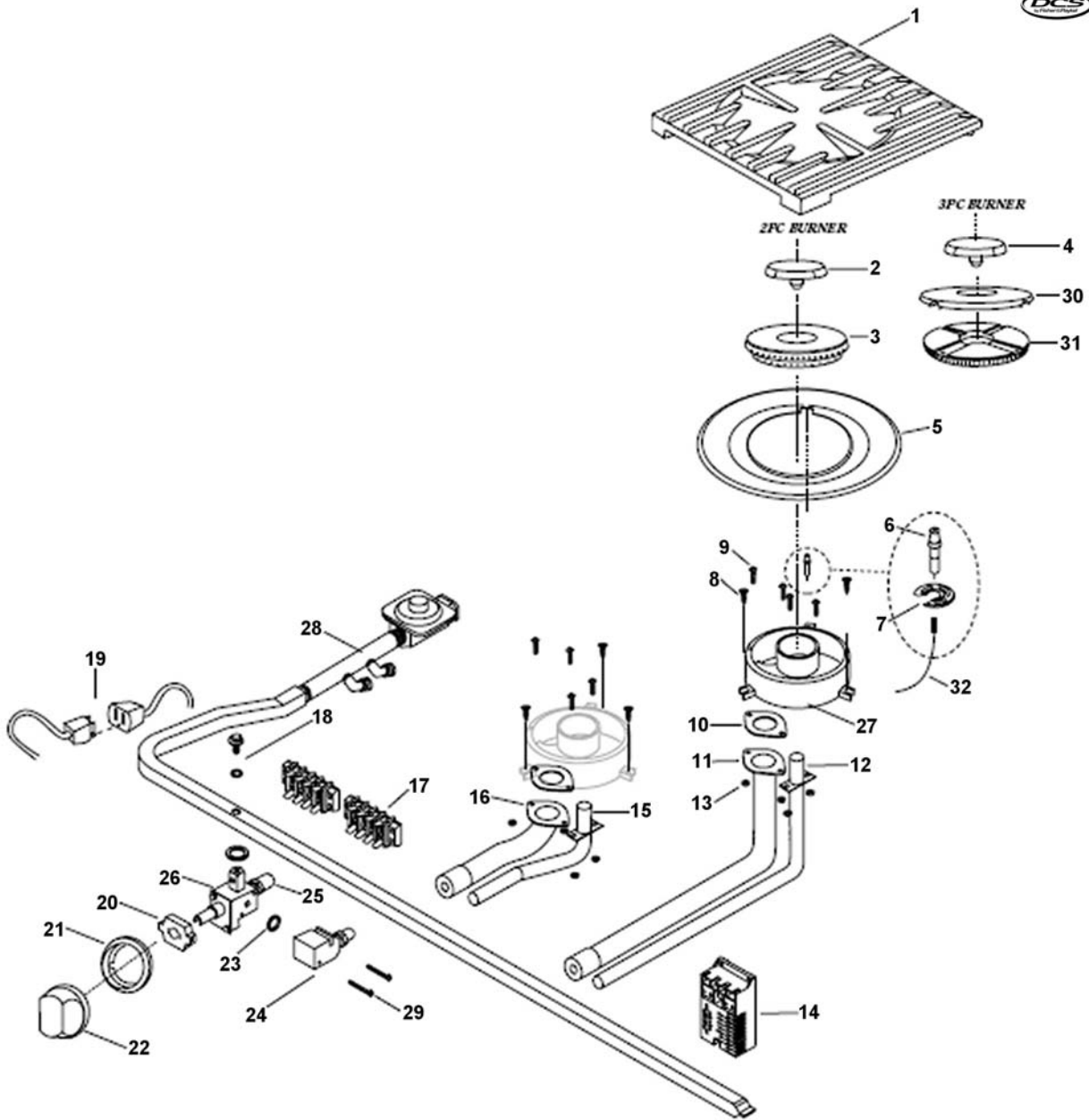
ISLAND TRIM BACKGUARD



BACK GUARD COMPONENTS

REF	PART	DESCRIPTION
1	215689	BACK SHEET HS 48
2	215686	RETAINER INSUL. HS 48
3	215636	TOP COVER LB 48
4	215959	HIGH SHELF W/A RG-48
5	215681	FRONT SHEET HS 48
6	215962	SHELF BTM ENCLO W/NUTSERT 48
7	215631	BACK SHEET LB 48
8	215628	RETAINER INSUL LB 48
9	215623	FRONT SHEET LB 48
10	215968	TOP WELD ASSY 48 ISLAND TRIM
11	215974	BACK SHEET 48 ISLAND TRIM
12	215979	INSUL RETAINER 48 ISLAND TRIM
13	216410	INSULATION CUT

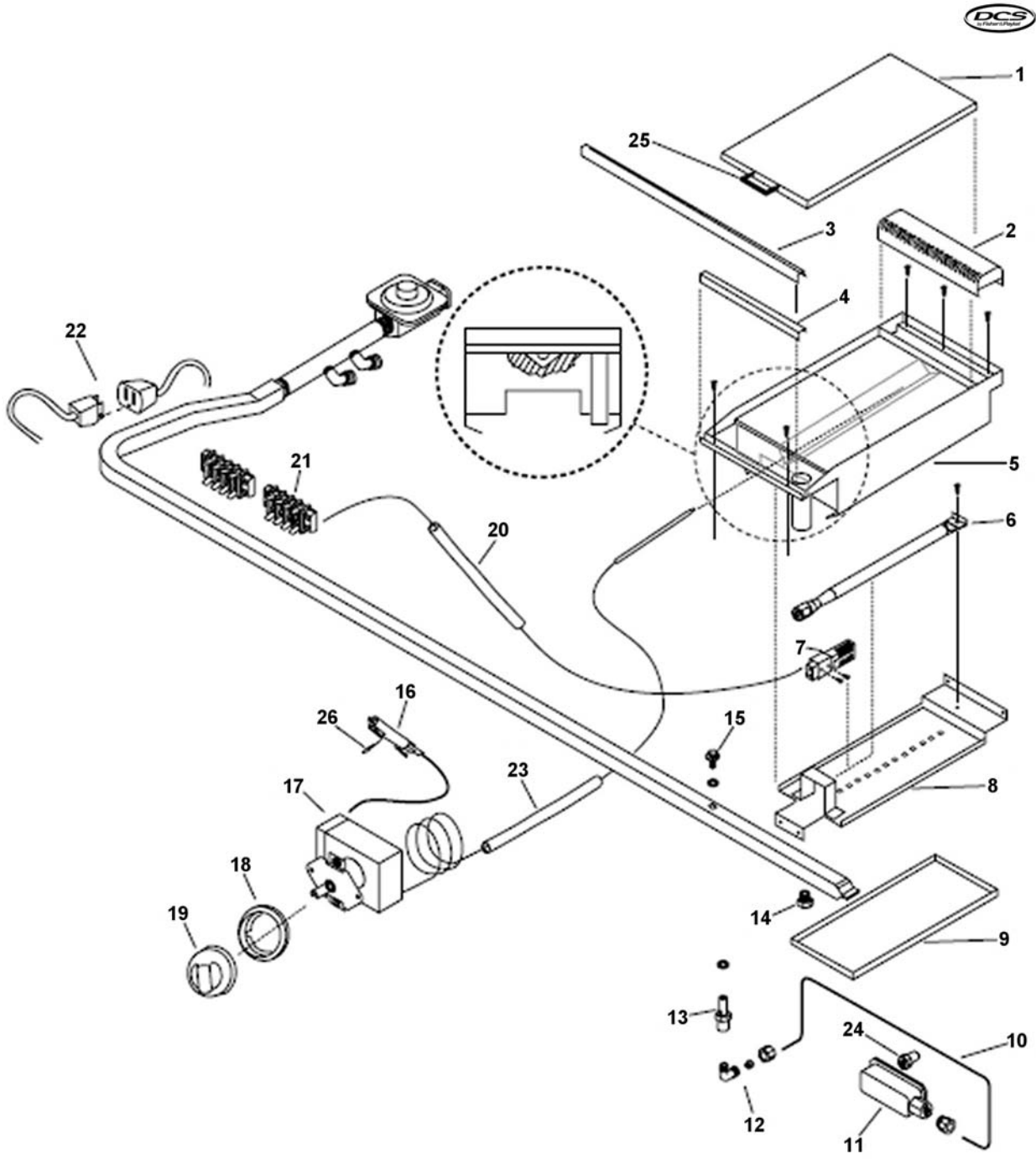
TOP BURNER COMPONENTS



TOP BURNER COMPONENTS

REF	PART	DESCRIPTION
1	210437	TOP GRATE HALF
NI	218137	MS 8-32X1 PH TRUSS HD S/S (10 PK)
2	210458	CAP SIMMER TUBE PORC
3	210462	BURNER CAP PORC
4	210429	CAP SIMMER TUBE PORC
5	210430	AERATION BOWL PORC.
6	210390P	ELECTRODE PKD
7	217923	SPRING CLIP (10 PK)
8	218131	SM 10X3/4 PH TRHD TY ABN (10 PK)
9	211287P	MS 10-24X3/4 PH TR HD SS (10 PK)
10	210930	BURNER HEAD GASKET
11	210438	MAIN VENTURI REAR
12	215787	SIM VENTURI W/A REAR PLATED
13	218147	NUT HEX 10-24 SS (10 PK)
14	210828	SPARK MODULE RI 120-E4
15	215789	SIM VENTURI W/A FRONT PLATED
16	210439	MAIN VENTURI FRONT
17	211540	TERMINAL BLOCK
18	211454	SCREW (HARPER WYMAN VALVE&PLUG)
19	211592	POWER CORD ASSY
20	210801	SPARK IGNITION SW.
21	210935	BEZEL, CHROME PLATED
22	211011	KNOB SIMMER BURNER
23	211010	O RING SIMMER BLOCK
24	210800	SIMMER BLOCK
NI	210710P	ORIFICE #79 (PKD)
NI	210707P	ORIFICE #75 (PKD)
25	210694P	ORIFICE #58 #9701B1658 (PKD)
	218012	ORIFICE - ROTIS #51 NG (PKD)
26	210817	VALVE SIMMER
27	210461	BURNER BASE DIECAST
28	212252	OVEN FEED ADAPTER
29	211269	MS 4-40X1 PH RD HD ZN
30	210428	SIMMER BURNER CAP
31	210451	RING SIMMER BURNER
32	211632	WIRE HARNESS 4 OTB
NI	211269	MS 4-40X1 PH RD HD ZN
NI	215763	BURNER HANGER
NI	215679	BRKT GRATE SUPPORT .75 WIDE
NI	215677	BRKT GRATE SUPPORT 1.5 WIDE

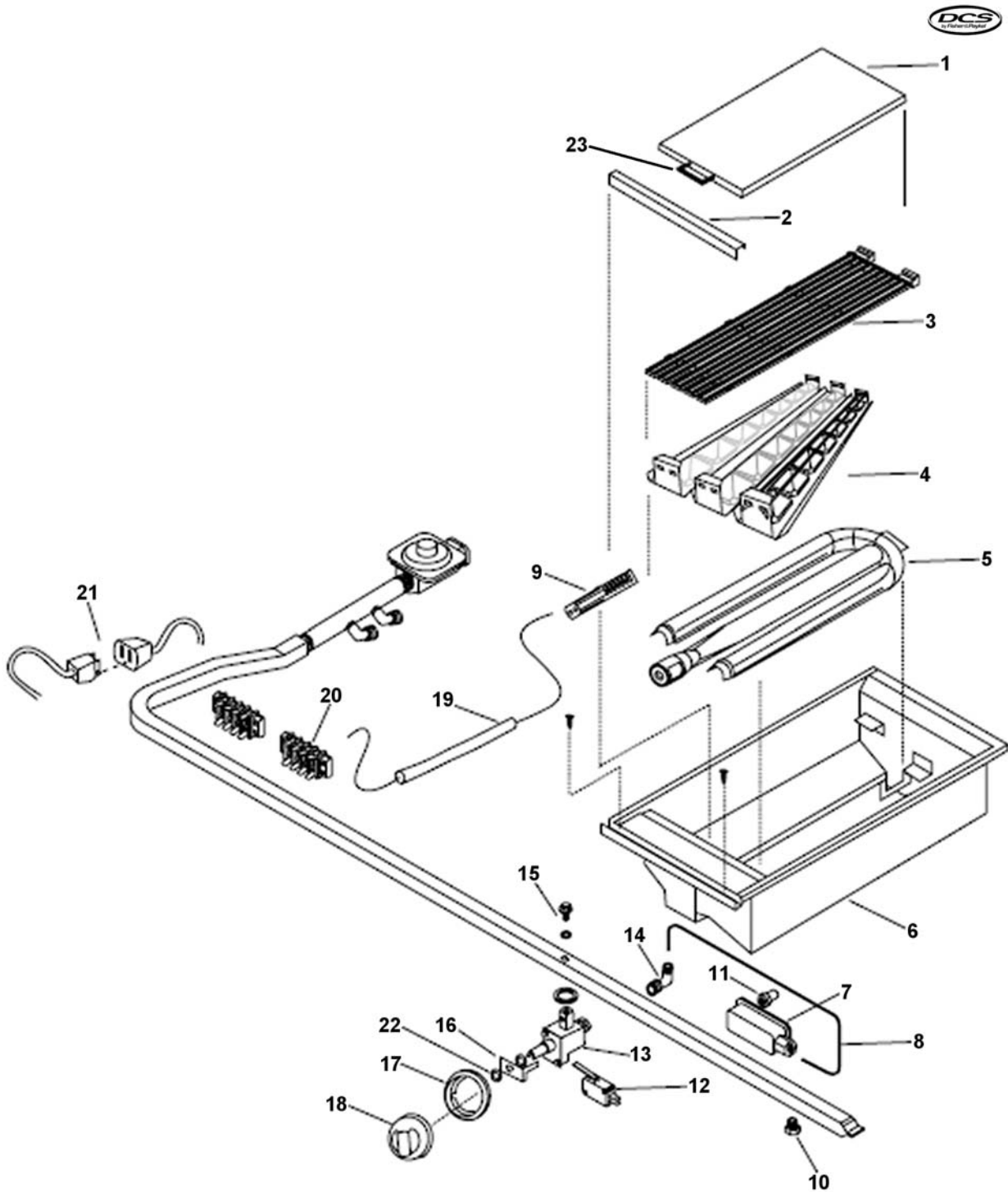
GRIDDLE COMPONENTS



GRIDDLE COMPONENTS

REF	PART	DESCRIPTION
1	215987	GRIDDLE COVER ASSY. DCS
2	216246	GRIDDLE FLUE COVER W/A GE
3	215875	GRILL & GRID FRONT TRIM TOP
4	215876	GRIDDLE FRONT TRIM COVER
5	215765	GRIDDLE PLATE W/A
6	210331	BURNER BROIL.& GRID. 18
7	211541	IGNITER - (SMALL)
8	215769	GRIDDLE BAFFLE
9	213377	DRIP PAN BROILER & GRIDDLE
10	215645	TUBING GRIDDLE
11	210803	SINGLE THERMAL VALVE (18K) NAT
	210804	SINGLE THERMAL VALVE (18K) LP
12	212122	ELBOW 3/8 T.O.D - 1/8 NPT (M)
13	212248	ADAPTER (H.W.) 1/8 NPT (SQ.MA)
14	212247	PIPE PLUG BRASS SQ. MANIFOLD
15	211454	SCREW (HARPER WYMAN VALVE&PLUG)
16	211571	PILOT LIGHTS
17	210726	THERM. CK 7 OVEN 12
18	210935	BEZEL, CHROME PLATED
19	211017	KNOB THERMOSTAT OVEN/GRIDDLE
20	211593	FIBER GLASS SLEEVE -1/2
21	211540	TERMINAL BLOCK
22	211592	POWER CORD ASSY
23	211593	FIBER GLASS SLEEVE -1/2
24	210684P	ORIFICE #48 (PKD)
	210691P	ORIFICE #55 GRILL (PKD)
25	210974	PULL HANDLE-36/48 BBQ 131/132
NI	218131	SM 10X3/4 PH TRHD TY ABN (10 PK)
26	211571	PILOT LIGHTS

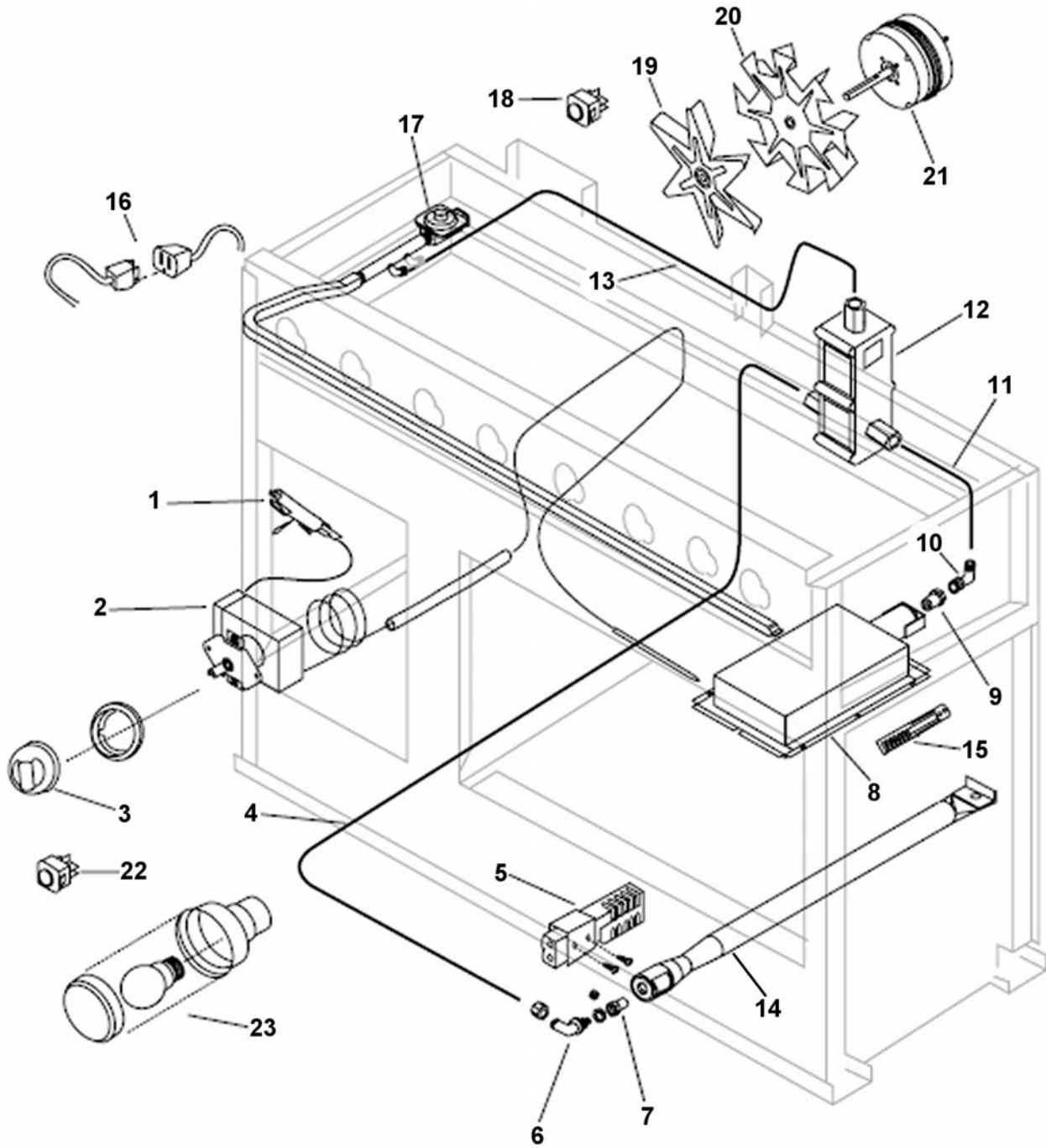
GRILL COMPONENTS



GRILL COMPONENTS

REF	PART	DESCRIPTION
1	215990	GRILL COVER ASSY. DCS
2	215877	GRILL FRONT TRIM COVER
3	210466	CAST IRON GRATE
4	216000	LAVA ROCK TRAY ASSY
5	210459	U-BURNER GE
6	216305	GRILL BOX W/A GE
7	210803	SINGLE THERMAL VALVE (18K) NAT
	210804	SINGLE THERMAL VALVE (18K) LP
8	215646	TUBING GRILL
9	211541	IGNITER - (SMALL)
10	212247	PIPE PLUG BRASS SQ. MANIFOLD
11	210684P	ORIFICE #48 (PKD)
	210691P	ORIFICE #55 GRILL (PKD)
12	211530	MICRO SWITCH
13	210798	VALVE STANDARD
14	212149	ELBOW 3/8 T.O.D. - 3/8 (F)
15	211454	SCREW (HARPER WYMAN VALVE&PLUG)
16	215997	CAM GRILL SW.
17	210935	BEZEL, CHROME PLATED
18	211019	KNOB-GRILL
19	211593	FIBER GLASS SLEEVE -1/2
20	211540	TERMINAL BLOCK
21	211592	POWER CORD ASSY
22	211458	SPEED CLIP GRILL CAM SWITCH
23	210974	PULL HANDLE-36/48 BBQ 131/132
NI	218131	SM 10X3/4 PH TRHD TY ABN (10 PK)

LARGE OVEN/BROILER COMPONENTS

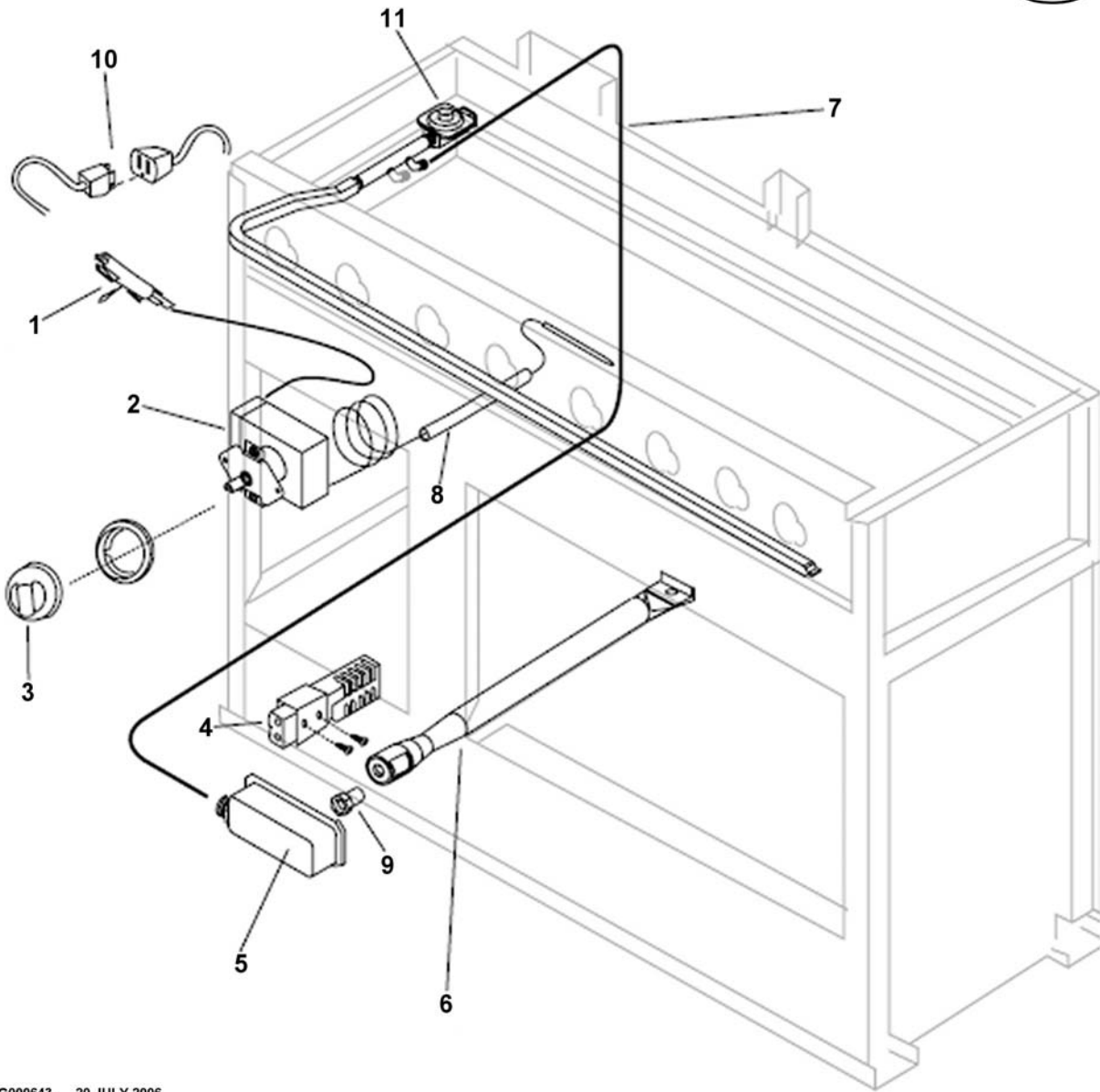


DWG000642 20 JULY 2006

LARGE OVEN/BROILER COMPONENTS

REF	PART	DESCRIPTION
1	211571	PILOT LIGHTS
2	210779	THERMOSTAT OVEN BROIL
3	211015	KNOB THERMOSTAT BAKE/BROIL
4	215647	TUBING DUAL VALVE TO OVEN BURN
5	211541	IGNITER - (SMALL)
6	212139P	ELBOW 3/8-27-9/16-24 (PKD)
7	210674	ORIFICE # 38
	210688P	ORIFICE #52 (PKD)
8	214645	I/R BURNER - ASSY.
9	210683P	ORIFICE #47 (PKD)
	210691P	ORIFICE #55 GRILL (PKD)
10	212139P	ELBOW 3/8-27-9/16-24 (PKD)
11	215648	TUBING DUAL VALVE TO I/R BURN
12	210782	DUAL THERMAL GAS VALVE
13	215649	TUBING MANIFOLD TO DUAL VALVE
14	210361	OVEN BURNER C.R.
15	211542	IGNITER I/R (LARGE)
16	211592	POWER CORD ASSY
17	210663	REGULATOR LP/NG
18	211625	LIGHT SWITCH
19	211631	BLADE.ASSY.RG CONVECTION FAN
20	211580	MOTOR COOLING BLADE
21	211750	CONVECTION MOTOR R/H
22	211625	LIGHT SWITCH
23	211576	LENS - LAMP
NI	214689	CLAMP IGNITER W/A (BROIL)

SMALL OVEN COMPONENTS



SMALL OVEN COMPONENTS

REF	PART	DESCRIPTION
1	211571	PILOT LIGHTS
2	210726	THERM. CK 7 OVEN 12
3	211017	KNOB THERMOSTAT OVEN/GRIDDLE
4	211541	IGNITER - (SMALL)
5	210803	SINGLE THERMAL VALVE (18K) NAT
6	210331	BURNER BROIL. & GRID. 18
7	232137	TUBING MANIF. TO 12 OVEN
8	211593	FIBER GLASS SLEEVE -1/2
9	210684P	ORIFICE #48 (PKD)
9	210691P	ORIFICE #55 GRILL (PKD)
10	211592	POWER CORD ASSY
11	210663	REGULATOR LP/NG