



36" WALL HOOD

Parts List

MODEL:
DCS-VH-36HS

PRODUCT CODE:
70295

PRODUCT

Brand	DCS
Voltage	110V 60Hz
Model	DCS-VH-36HS
Product Code	70295

Fisher & Paykel Appliances
5900 Skylab Road, Huntington Beach,
CA 92647
Customer Care: (888) 281-5698
Fax: (714) 372-7003
www.dcsappliances.com
support@dcsappliances.com

CONTENTS

HOOD COMPONENTS	6
-----------------------	---

GUIDE TO USING THIS MANUAL

The model covered by this manual is listed on the front cover.

The information detailed in this manual is subject to change without notice. The latest version is indicated by the reprint date and replaces any earlier editions.

The front cover picture shows the type of product and may not necessarily be an exact image of the model covered by the manual.

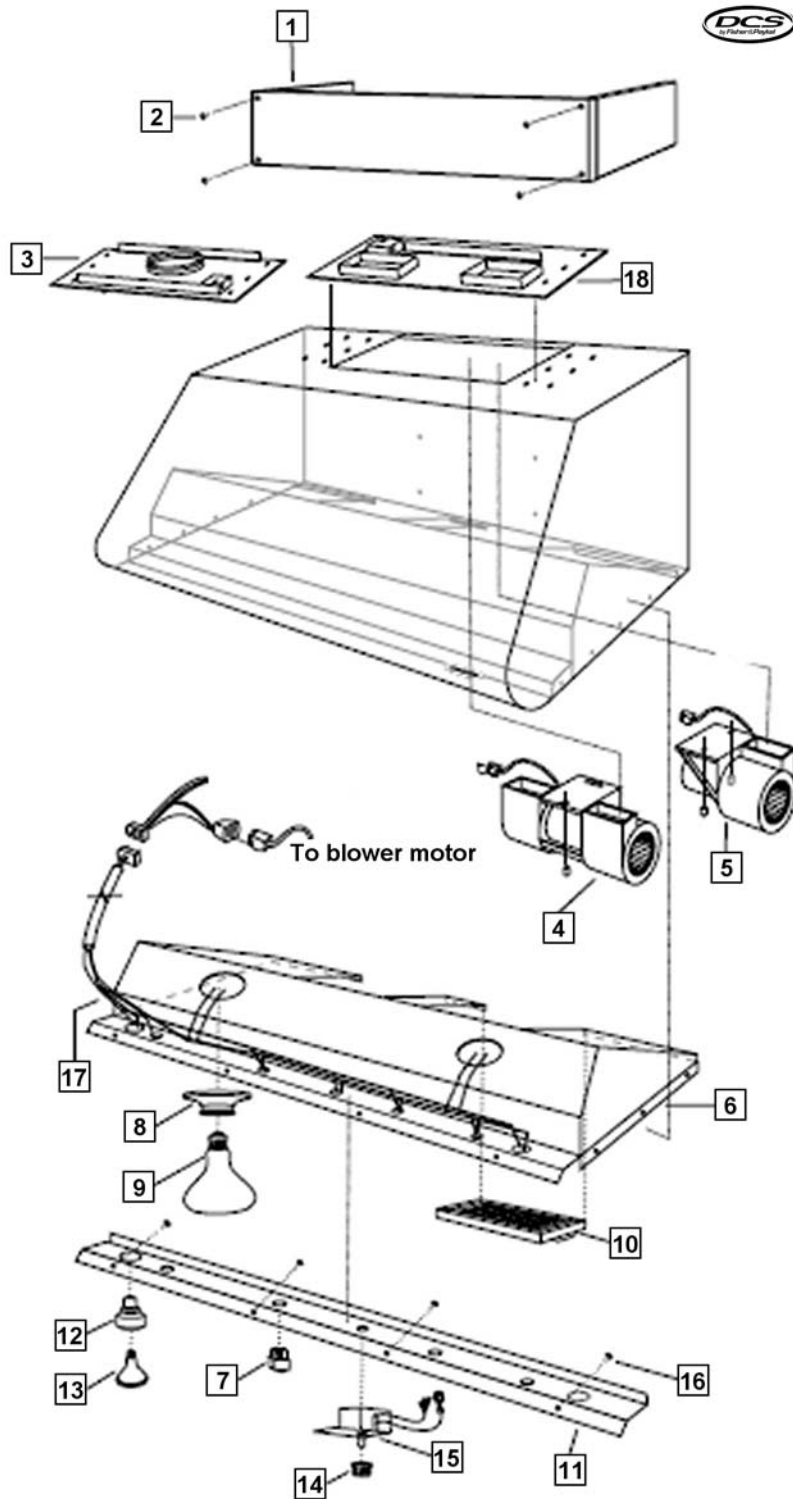
Kit Parts

Kit components are shown in *italics*. Where a part number is shown against the descriptions for these kit components, they are also available as separate items. In addition, some parts may be supplied with these kits that are not available as separate items, and are therefore either not listed, or a part number is not shown against the part description in this manual.

Parts List Key

<i>italics</i>	Kit components or parts included are shown in <i>italics</i> . Refer to above notes: Kit Parts.
NI	As a part reference, indicates the part is not illustrated on the diagram.
NOT USED	As a part number, indicates the diagram part reference is not used in this manual.

HOOD COMPONENTS



DWG000589 12 JULY 2006

HOOD COMPONENTS

REF	PART	DESCRIPTION
1	70504	DUCT COVER 12 HIGH 36 WIDE SS
2	211249	SM 10X3/4 PH TR HD TY A SS
3	217056	ROUGH IN KIT 30/36
4	NOT USED	NOT USED IN THIS MODEL
5	211656	600 CFM BLOWER
6	217008	INNER HOUSING VH 36
7	211625	LIGHT SWITCH
	211627	LIGHT SW SPST ILLUMINATED BLK (BLOWER SWITCH)
8	211659	RECEPTACLE LEVITON
9	211685	HEAT LAMP GE
10	211042	FILTER VENT HOOD
11	217025	SWITCH PANEL VH 36
12	211688	RECEPTACLE
13	211686	BULB-GE-50 PAR20
14	211027	KNOB SPEED CONTROL
15	211658	SPEED CONTROL
16	218131	SM 10X3/4 PHTRHD TYABN (10 PK)
17	211653	WIRE HARNESS (MAIN VENT HOOD)
	211654	WIRE HARNESS HEAT/LT HD 30 &36
18	NOT USED	NOT USED IN THIS MODEL
999	217014	GREASE CAN VH