

Fisher & Paykel
appliances



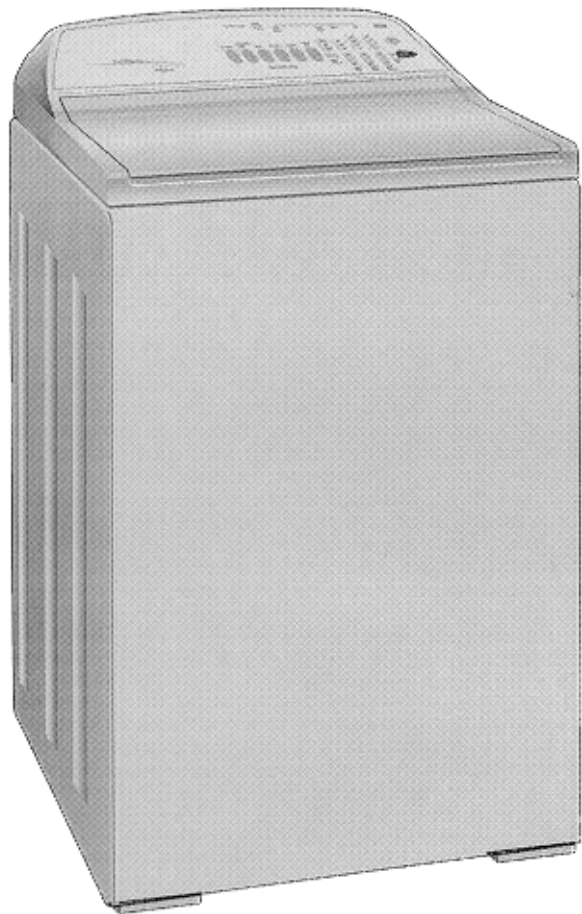
Parts Manual

ecōsmart

Electronic Washing Machine

Models

GWL10



517722

517722

PRODUCTS

Brand Fisher & Paykel

Voltage 110V 60Hz

Model **Product Code**

GWL10	96167, 96144
-------	--------------

Fisher & Paykel Appliances Inc

27 Hubble, Irvine
California, CA92618
USA

Telephone: 949 790 8900

Facsimile: 949 790 8911

Email: parts.order@FisherPaykel.com

CONTENTS

TOP DECK AND ELECTRONICS	6
WRAPPER.....	8
AGITATOR AND HOSES	10
INNER AND OUTER BOWLS AND PUMP	12
MOTOR.....	14
NOTES.....	17

GUIDE TO USING THIS MANUAL

The model(s) and/or series covered by this manual are listed on the front cover.

The information detailed in this manual is subject to change without notice, the latest version is indicated by the reprint date and replaces any earlier editions.

The front cover picture shows the type of product and may not necessarily be an exact image of the models covered by the manual.

Part References

Where a Model is shown, the part is exclusive to the Model(s) stated. Common parts relating to a part reference are applicable to all other Model(s) which use the particular item.

Kit Parts

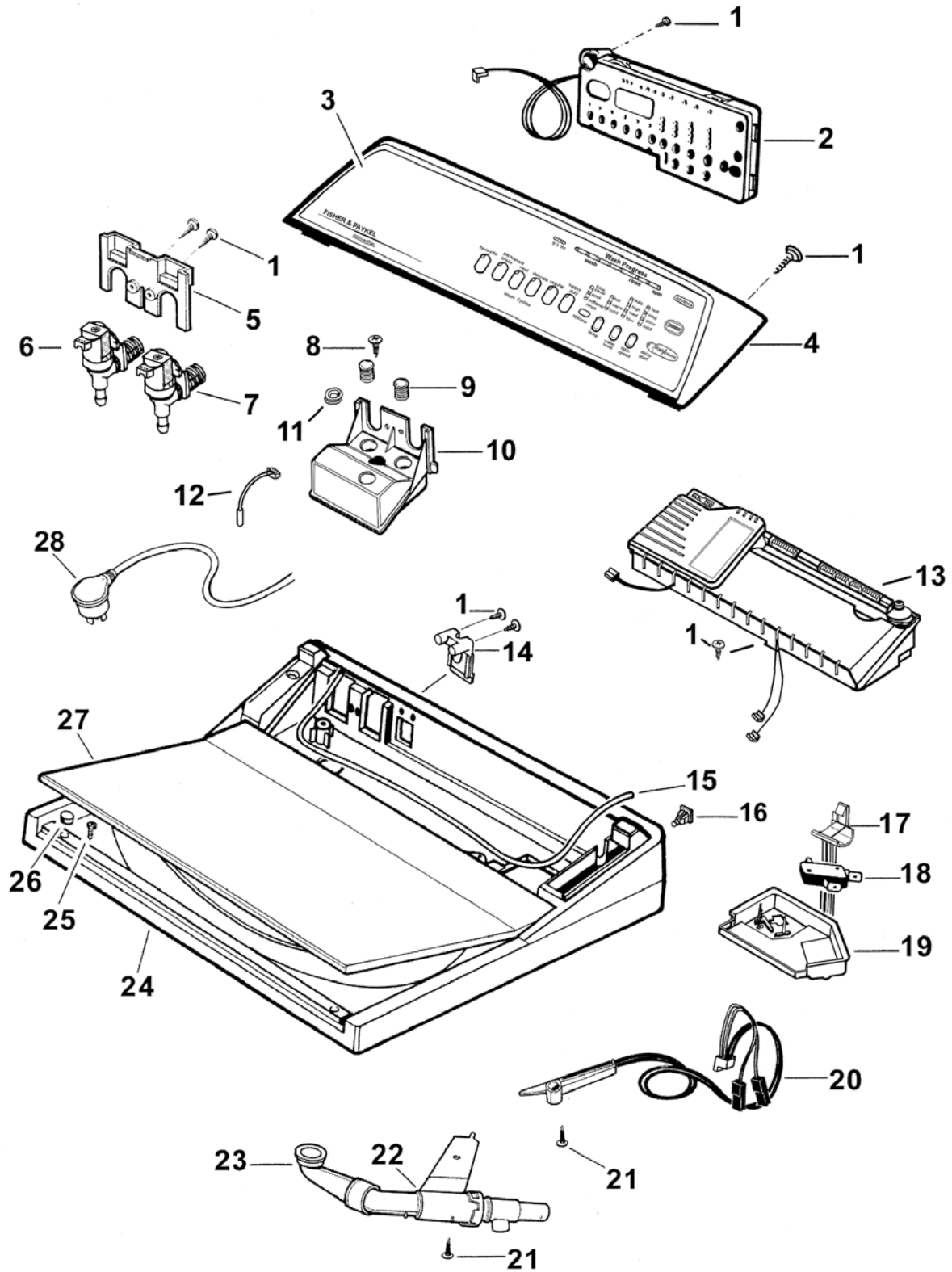
The components shown in *italics with a part number* are those parts in the kit which are available also as separate items. In addition, some parts may be supplied with this kit which are not available as separate items and are therefore either not listed or a part number is not shown against the part description in this manual.

All details relating to Technical Bulletins or Notes are shown on a dedicated page. The Technical Bulletin Number shown relates to the bulletin version which is produced for the Global Service Centres.

Parts List Key

NOT USED	As a part, indicates the diagram part reference is not used in this manual.
#	Beside the part number, indicates the part is no longer available.
<i>italics</i>	Kit components or parts included shown in <i>italics</i> , refer above notes: Kit Parts
*	Indicates a technical bulletin or note exists for the part or part reference.
NI	As a part reference, indicates the part is not illustrated on the diagram.

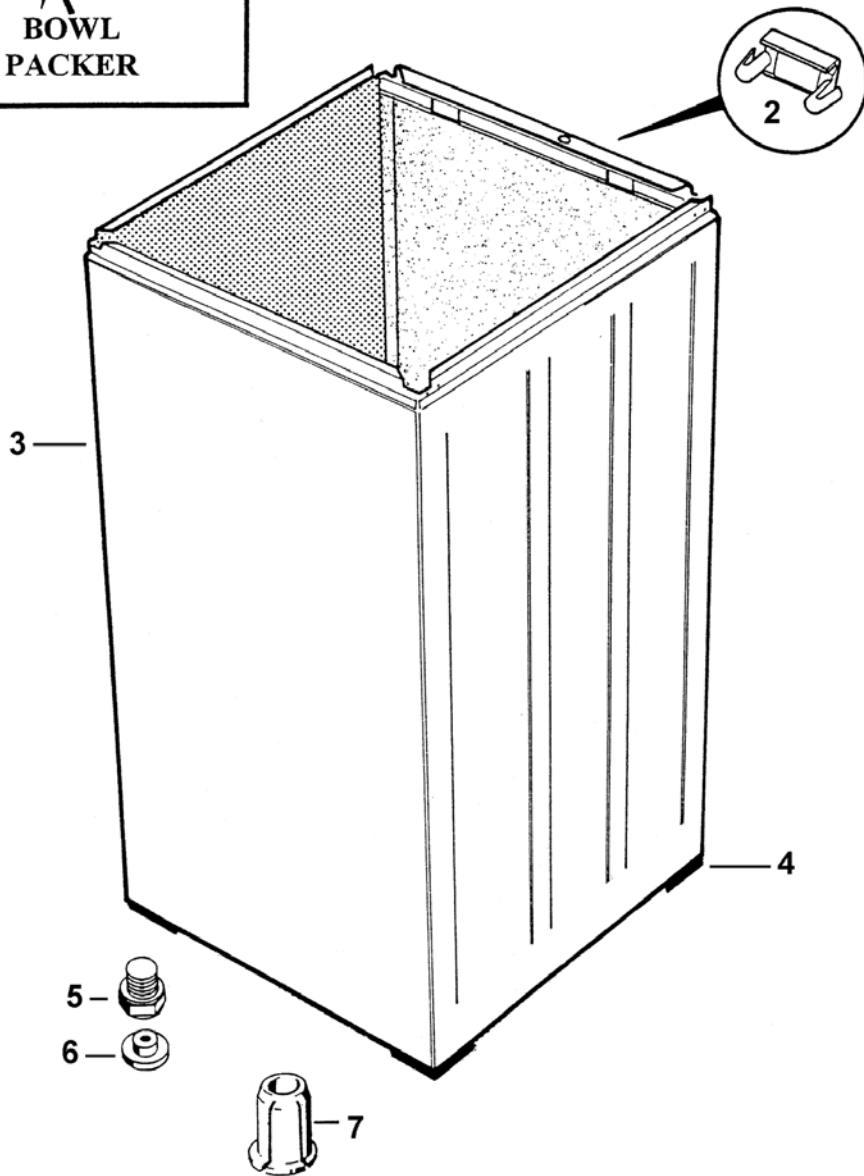
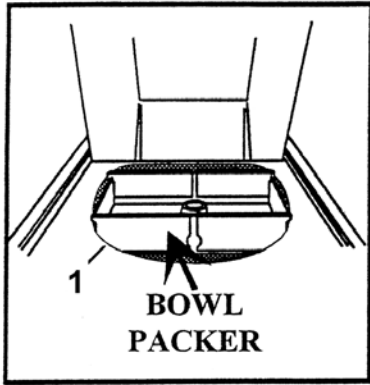
TOP DECK AND ELECTRONICS



TOP DECK AND ELECTRONICS

REF	PART	DESCRIPTION	MODEL
1	611933P	SCREW ST 8X5/8 TA MTS PH HS ZNPL PKT10	
2	426876P	MODULE DISPLAY RECIRC USA GREY	
3	426872P	PANEL TOUCH ECOWASHER USA	
4	426055P	CONSOLE WHITE	
5	425339	BRACKET VALVE	
6	426560	VALVE INLET PROPORTIONAL COLD 24V	
7	426559	VALVE INLET DIGITAL 24V	
8	611986P	SCREW ST 8X20MM HILO PAN PH PKT10	
9	425251	SEAL INLET VALVE	
10	426464	CHAMBER INLET	
11	426752	SEAL THERMISTOR	
12	479193P	KIT THERMISTOR & SEAL ASSY	
	<i>Includes 426752</i>	<i>SEAL THERMISTOR</i>	
13	426930P	MODULE CONT 110V GREY (USA)	
14	426113	CLAMP MAINS CABLE	
15	426273	GASKET CONSOLE FOAM CUT	
16	422402P	NUT SNAP IN SPIRE PKT10	
17	425686	LEVER OUT OF BALANCE	
18	426597	MICRO SWITCH LOW FORCE SPST-NC	USE 420313 KIT
	420313	KIT SEALED OOB MICROSWITCH ASSY	
	<i>Includes 425772</i>	<i>BRACKET OOB</i>	
	<i>Includes 425686</i>	<i>LEVER BALANCE SWITCH</i>	
	<i>Includes 420293</i>	<i>MICROSWITCH SEALED</i>	
	<i>Includes 420312</i>	<i>CRIMP SPLICE UTILUX (2)</i>	
	<i>Includes 621936</i>	<i>TIE CT120 ACTIVE</i>	
	<i>Includes 420316</i>	<i>INSTRUCTION SHEET, 425186 LABEL ZIG ZAG VINYL</i>	
19	425772	BRACKET OUT OF BALANCE	
20	426515	HARNESS REED SWITCH/OOB	
21	611985P	SCREW ST 8X1/2 TA MSH PH SS PKT10	
22	425869	NOZZLE INLET	
23	425974	ELBOW INLET	
24	426546P	TOP DECK WHITE 7	
25	611923P	SCREW ST 8X5/8 TAB MSH PH HS ZNPL PKT10	
26	425413	BUFFER LID WHITE	
27	426712P	LID ASSY WHITE 7	
28	426699	CABLE MAINS UL STANDARD	
NI	388491	CAP VALVE BLANKING	

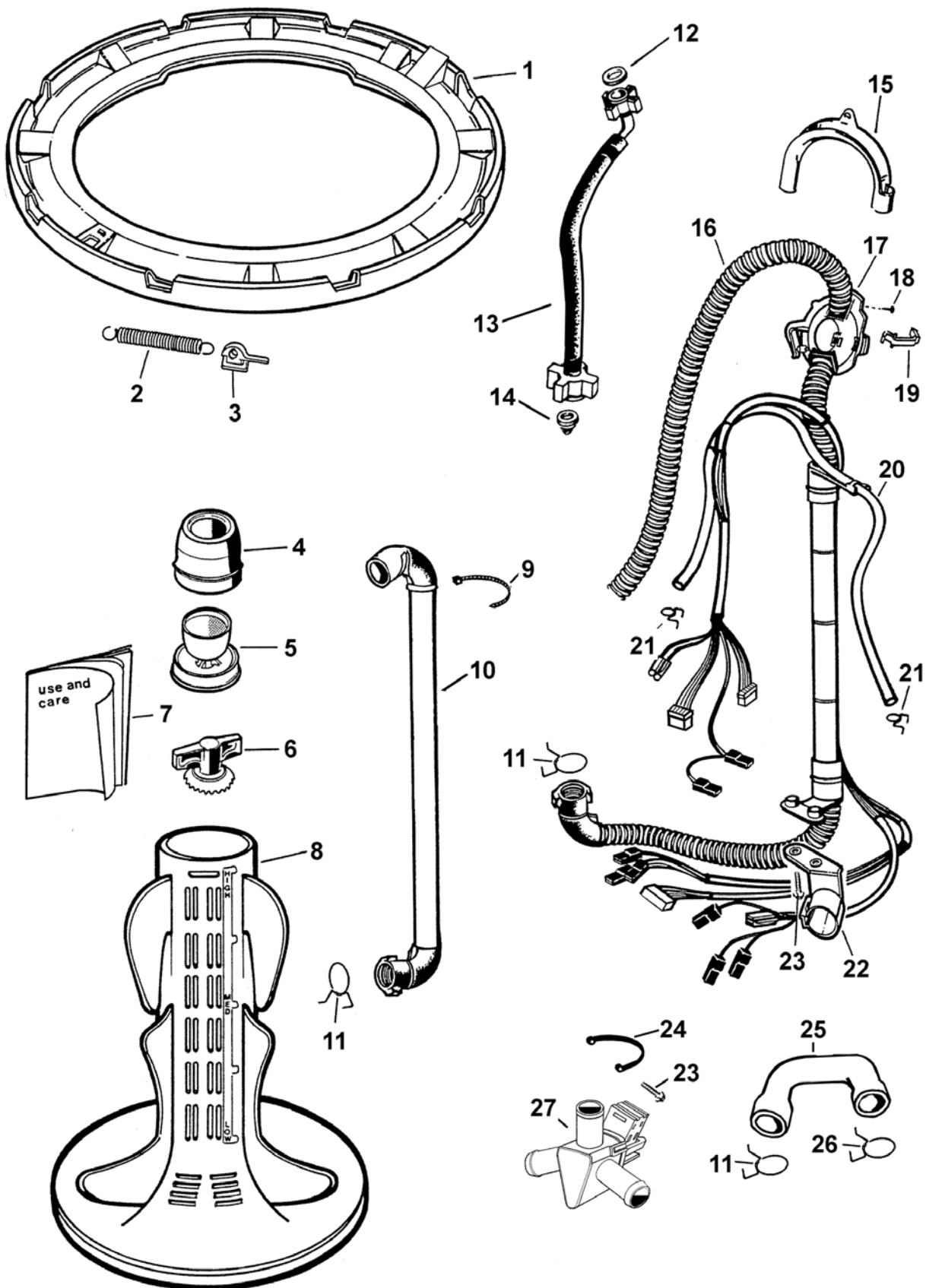
WRAPPER



WRAPPER

REF	PART	DESCRIPTION	MODEL
1	426283	PACKER BOWL 7	
2	426058	COVER EARTH CLIP	
3	426663P	WRAPPER ASSY 7	
	<i>Includes 426058</i>	<i>COVER EARTH CLIP</i>	
	<i>Includes 426153</i>	<i>FOOT LEVELLING</i>	
	<i>Includes 426621</i>	<i>WIRE CABINET EARTH CLIP</i>	
	<i>Includes 426657</i>	<i>CORNER CABINET BOTTOM</i>	
4	426657	CORNER CABINET BOTTOM	
5	426153	FOOT LEVELLING	
6	426154	INSERT FOOT	
7	425095	RESTRAINT TRANSIT	

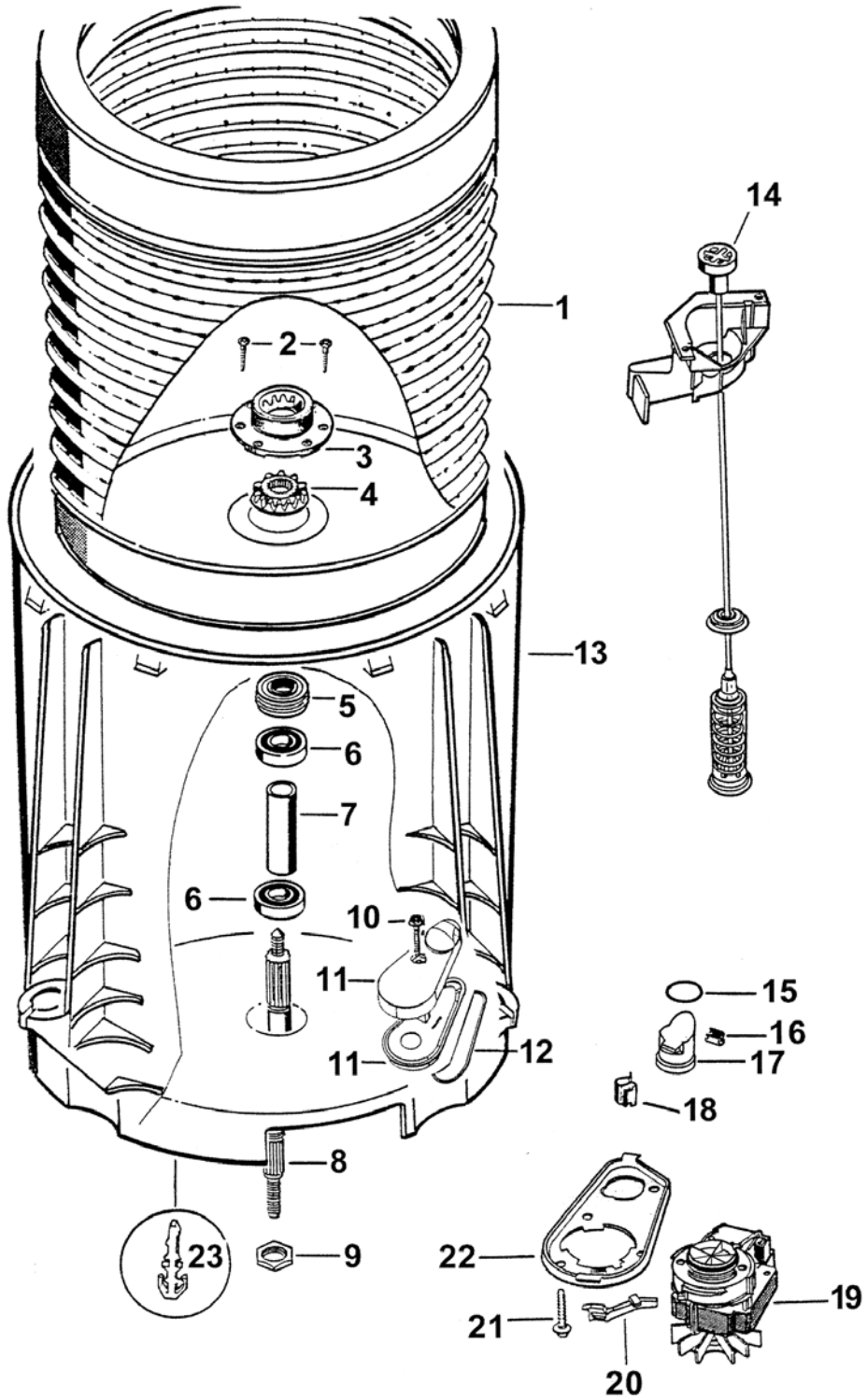
AGITATOR AND HOSES



AGITATOR AND HOSES

REF	PART	DESCRIPTION	MODEL
1	426935	NECK RING LT GREY 7	
2	425173	SPRING BIAS	
3	425531	CLIP BIAS SPRING	
4	426893	DISPENSER TOP	
5	426894	DISPENSER BOTTOM	
6	425059	NUT AGITATOR	
7	420182/B	BOOK USE & CARE GWL10 ECO US	
8	425025	AGITATOR	
9	621954	TIE CABLE 150X3.5	
10	426863	HOSE RECIRC	
11	422500	CLAMP HOSE 31.5MM	
12	426149#	SEAL CONNECTOR	
13	425963	HOSE INLET ASSY	
14	426150	FILTER & SEAL ASSY	
15	422808	GUIDE OUTLET HOSE	
16	420236P	HOSE DRAIN & WIRING ASSY ECOWASHER	
17	426455	FIXTURE DRAIN HOSE	
18	611933P	SCREW ST 8X5/8 TA MTS PH HS ZNPL PKT10	
19	425487	CLIP FIXTURE DRAIN HOSE	
20	425299	TUBE PRESSURE	
21	425611	CLAMP PRESSURE TUBE	
22	425503	BRACKET DRAIN HOSE	
23	425150P	SCREW ST 1/4X1 PLASTITE 60 PKT10	
24	426958	CLAMP DIVERTER VALVE	
25	426695	HOSE PUMP DIVERTER	
26	422503	CLAMP HOSE 28MM	
27	426862	VALVE DIVERTER	
NI	425627P	HOSE DRAIN EXTENSION	
NI	426879	VIDEO USE & CARE	
NI	426341	LEAFLET INSTALLATION INSTRUCTIONS	
NI	426922	LEAFLET SERVICE SUMMARY	
NI	426340	CARD REGISTRATION USA	
NI	426927	LABEL ENERGY GUIDE USA	

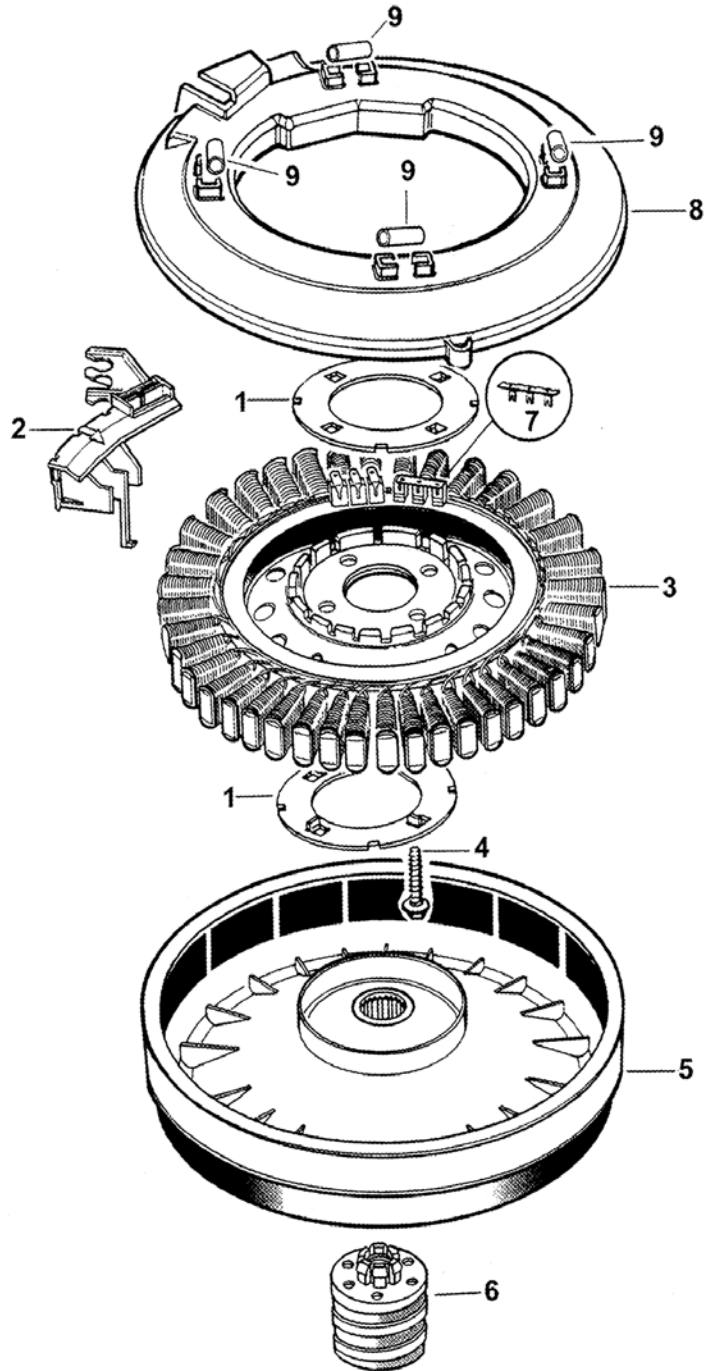
INNER AND OUTER BOWLS AND PUMP



INNER AND OUTER BOWLS AND PUMP

REF	PART	DESCRIPTION	MODEL
1	426099P	BOWL INNER 7 (BASKET)	
	<i>Includes 425080</i>	<i>SPLINE DRIVEN</i>	
	<i>Includes 425131P</i>	<i>SCREW CLUTCH PKT10</i>	
	<i>Includes 425596</i>	<i>SPLINE DRIVE</i>	
2	425131P	SCREW CLUTCH PKT10	
3	425080	SPLINE DRIVEN	
4	425596	SPLINE DRIVE	
5	425009P	LIPSEAL	
6	425006P	BEARING	
7	425007	SPACER BEARING	
8	425013	SHAFT	
9	425171	NUT BEARING	
10	425162P	SCREW COVER PKT10	
11	479188P	KIT PUMP CAP HOOD & IMPELLOR	
12	425115	SEAL PUMP CAP	
13	426883P	BOWL OUTER ASSY 7 (TUB)	
14	426750	SUSPENSION ASSEMBLY	
15	425149	SEAL PRESSURE CHAMBER	
16	613710	CLIP EDGE	
17	425097	PLUG PRESSURE CHAMBER	
18	613709	CLIP PIPE	
19	426956P	PUMP ASSY CHAMFERD	
20	425128	CLIP PUMP RETAINING	
21	425150P	SCREW ST 1/4X1 PLASTITE 60 PKT10	
22	425028	BRACKET PUMP	
23	472867	CLIP WIRING OUTER BOWL	
NI	502009	KIT SERVICE TOOL	

MOTOR



MOTOR

REF	PART	DESCRIPTION	MODEL
1	426174	PLATE CLAMP LANCED	
2	* 425221P	SENSOR ROTOR POSITION	
	<i>Includes 472867</i>	<i>CLIP WIRING OUTER BOWL</i>	
3	426454P	STATOR WOUND PKD	
4	426835P	SCREW STATOR 1"PKT10	
5	425620P	ROTOR	
6	425016	NUT ROTOR	
7	* 425104	BRIDGE TERMINAL	
8	425961	SHIELD MOTOR	
9	426145	TUBE BUFFER	

NOTES

MOTOR

Technical Bulletins

425104 WM81

425221P WM71