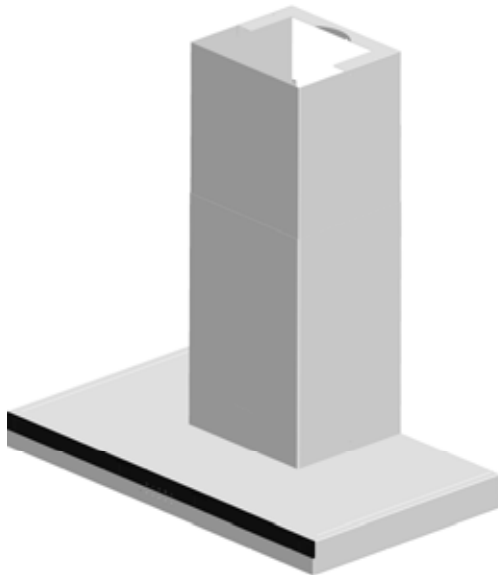


# Parts Manual

## Canopy Rangehood



**Model:**  
HC36DXB1 FP US

**Product Code:**  
88507-A

care



## PRODUCT

<b>Brand</b>	Fisher & Paykel
<b>Voltage</b>	110V 60Hz
<b>Model</b>	HC36DXB1 FP US
<b>Product Code</b>	88507-A

**Fisher & Paykel Appliances Inc**

5800 Skylab Rd,  
Huntington Beach  
California, CA92647  
USA

Telephone: 888 936 7872

COPYRIGHT® FISHER & PAYKEL LTD 2009 - ALL RIGHTS RESERVED



# CONTENTS

RANGEHOOD.....	6
WIRING DIAGRAM .....	8
NOTES .....	9

## GUIDE TO USING THIS MANUAL

The model covered by this manual is listed on the front cover.

The information detailed in this manual is subject to change without notice. The latest version is indicated by the reprint date and replaces any earlier editions.

The front cover picture shows the type of product and may not necessarily be an exact image of the model covered by the manual.

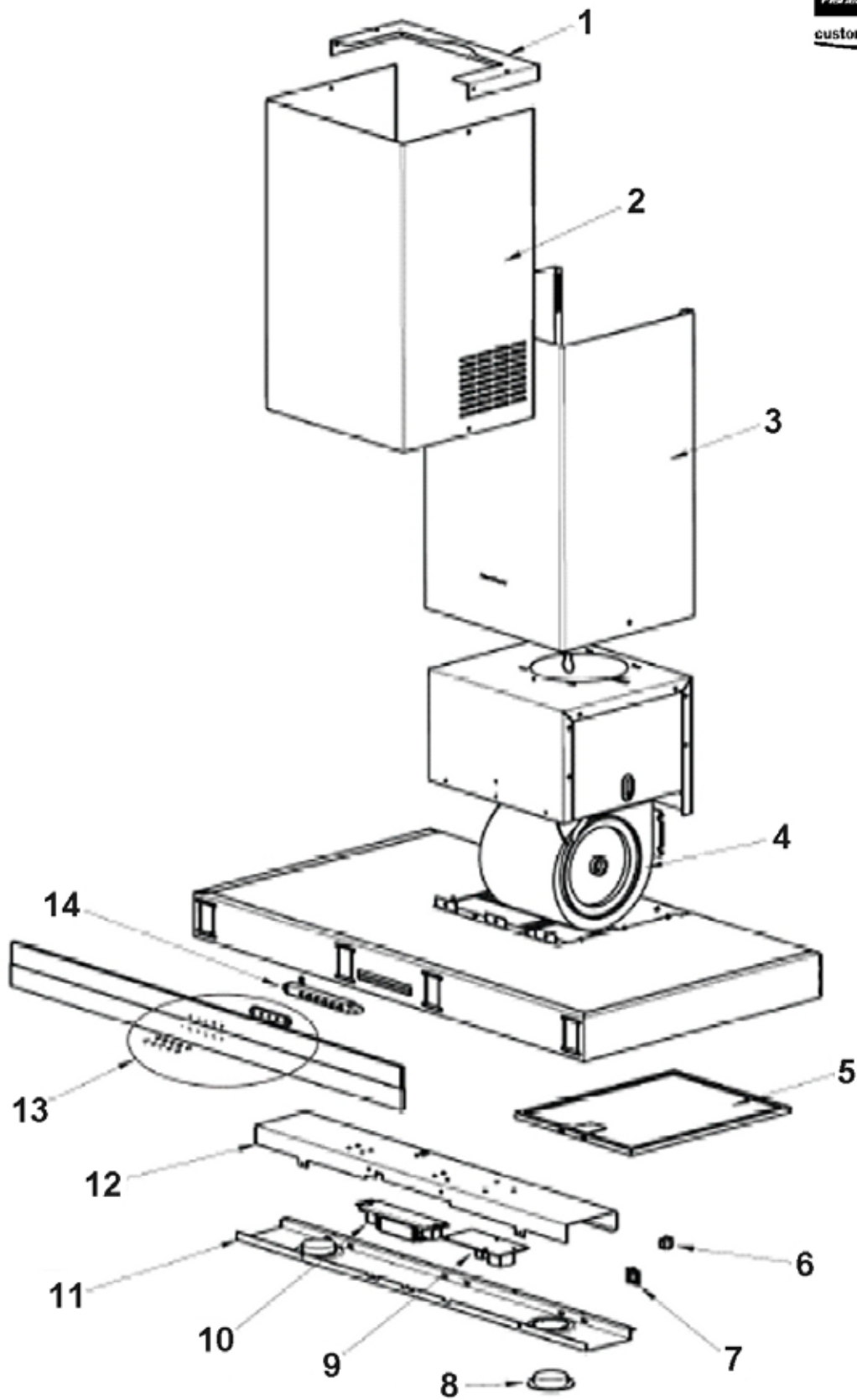
### Kit Parts

Kit components are shown in *italics*. Where a part number is shown against the descriptions for these kit components, they are also available as separate items. In addition, some parts may be supplied with these kits that are not available as separate items, and are therefore either not listed, or a part number is not shown against the part description in this manual.

### Parts List Key

<i>italics</i>	Kit components or parts included are shown in <i>italics</i> . Refer to above notes: Kit Parts.
NI	As a part reference, indicates the part is not illustrated on the diagram.
NOT USED	As a part number, indicates the diagram part reference is not used in this manual.

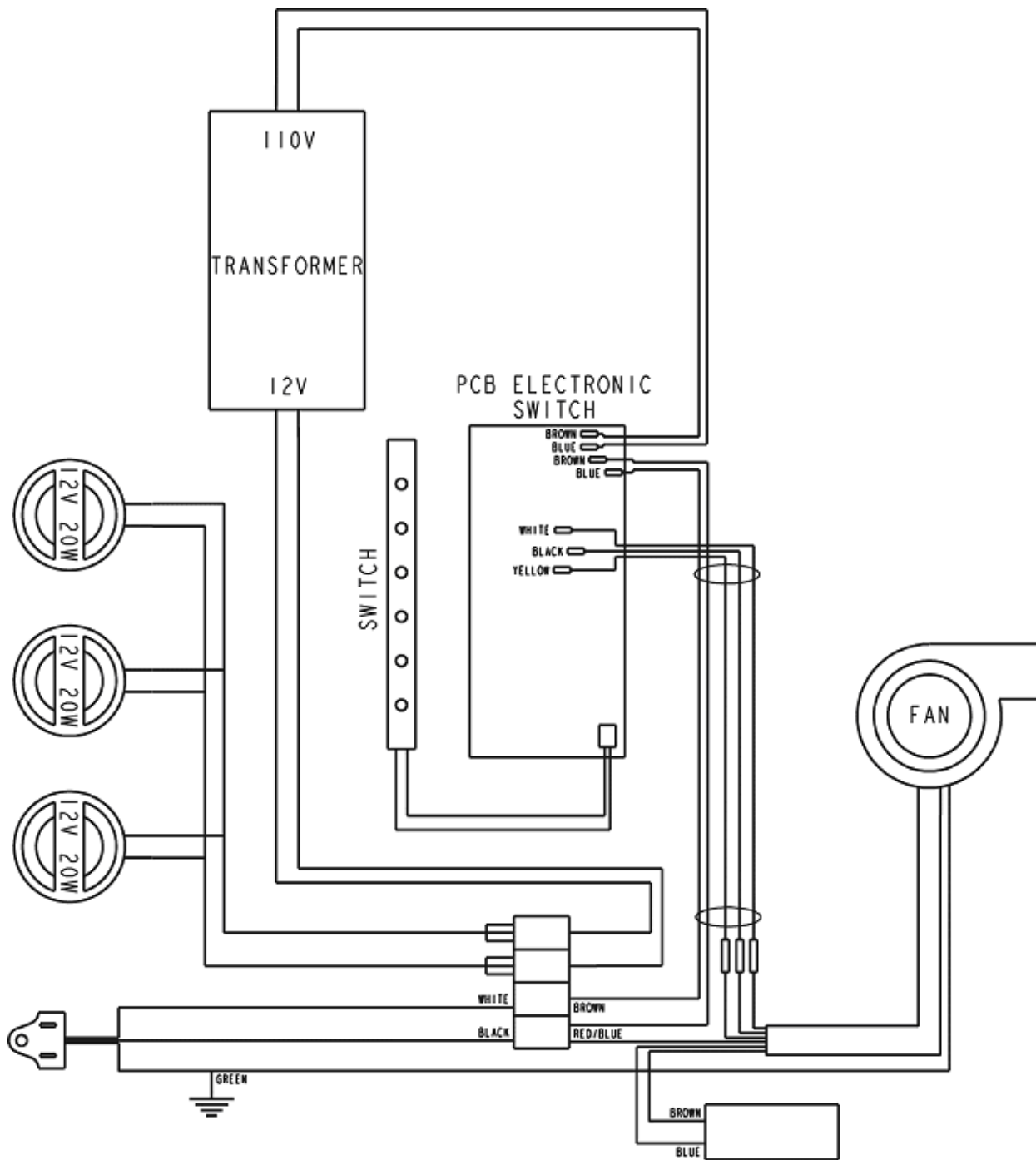
# RANGEHOOD



## RANGEHOOD

REF	PART	DESCRIPTION
1	R104714F	CHIMNEY BRACKET
2	R104712SSF	CHIMNEY TOP
3	R104713SSF	CHIMNEY BOTTOM
4	R104612	MOTOR 110V
5	R104660	FILTER (STAINLESS STEEL/MESH)
	R104165	FILTER (ALUMINIUM/CARBON)
6	R107675	BUSH
7	R104426	EDGING SADDLE
8	R104627	HALOGEN LIGHT
	R104467	BULB
9	R104659	PCB SWITCH ELECTRONICS
10	R104657	TRANSFORMER 110V/12V 50W
11	R104709SSF	LIGHT PANEL
12	R104925F	ELECTRIC COVER
13	R104987SS	FRONT FACIA ASSEMBLY INCL. BUTTONS
14	R104658	SWITCH ASSEMBLY
NI	R400000	STEEL BUTTON
NI	R104860	RUBBER GROMMET
NI	R104667	CAPACITOR 25 $\mu$ F
NI	R104635	POWER CORD USA
NI	R104834	INSTALLATION KIT
NI	R89096	CHIMNEY EXT 10ft CEILING
NI	R89096	CHIMNEY EXT 12ft CEILING
NI	R1744	RECIRCULATION KIT

# WIRING DIAGRAM





# NOTES