



# WO WALL OVEN

Parts List

**MODEL:**  
WO-127SS  
**PRODUCT CODE:**  
70658





## PRODUCT

<b>Brand</b>	DCS
<b>Voltage</b>	110V 60Hz
<b>Model</b>	WO-127SS
<b>Product Code</b>	70658

**Fisher & Paykel Appliances**

5900 Skylab Road, Huntington Beach,  
CA 92647

Customer Care: (888) 281-5698

Fax: (714) 372-7003

[www.dcsappliances.com](http://www.dcsappliances.com)

[support@dcsappliances.com](mailto:support@dcsappliances.com)



# CONTENTS

OVEN CAN COMPONENTS .....	6
OVEN DOOR COMPONENTS .....	8
DISPLAY COMPONENTS .....	10
OVEN COMPONENTS .....	12
BAKE COMPONENTS.....	14
FASTENERS .....	17

## GUIDE TO USING THIS MANUAL

The model covered by this manual is listed on the front cover.

The information detailed in this manual is subject to change without notice. The latest version is indicated by the reprint date and replaces any earlier editions.

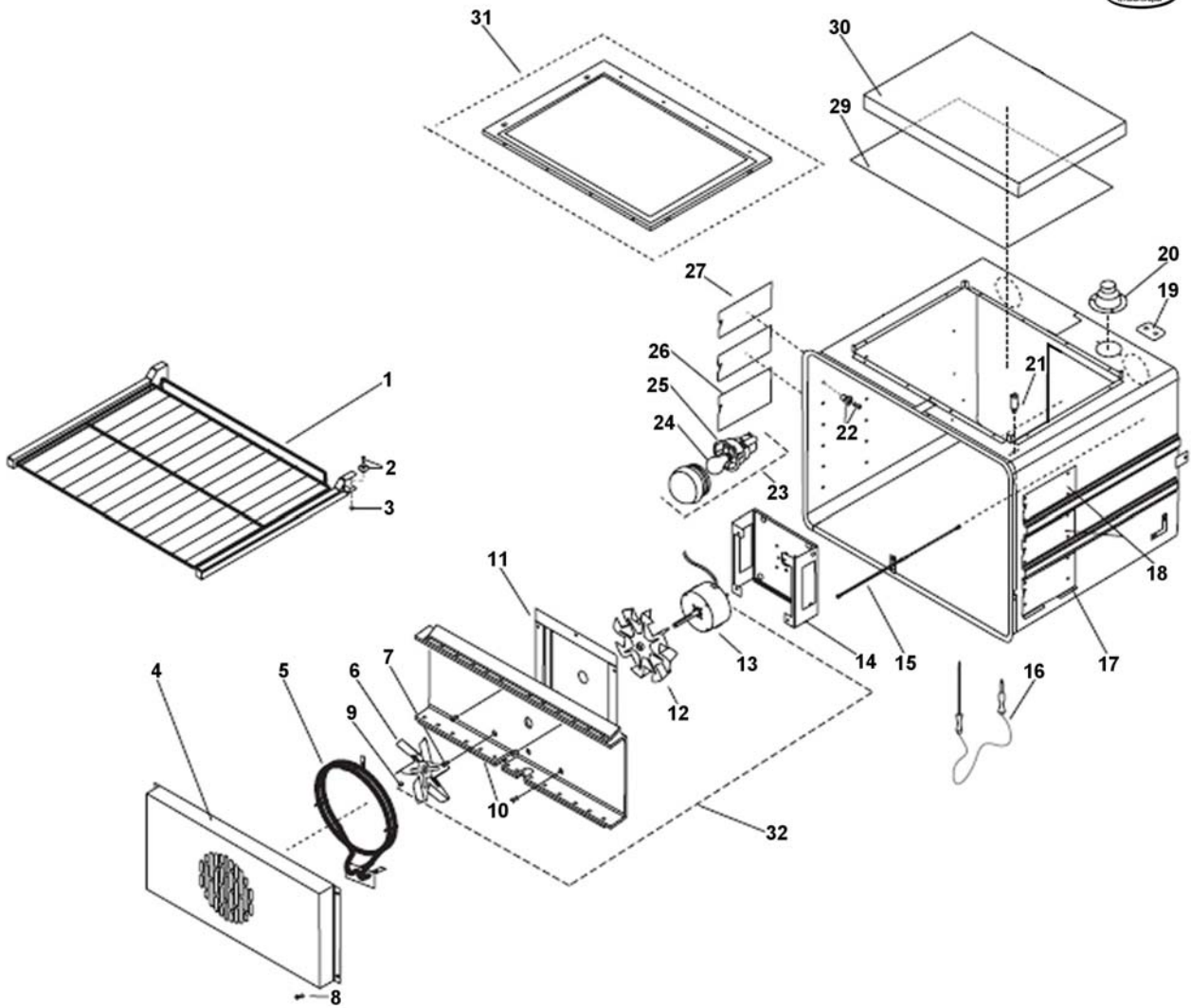
### Kit Parts

The components shown in *italics with a part number* are those parts in the kit which are available also as separate items. In addition, some parts may be supplied with this kit which are not available as separate items and are therefore either not listed or a part number is not shown against the part description in this manual.

### Parts List Key

NOT USED	As a part, indicates the diagram part reference is not used in this manual.
<i>italics</i>	Kit components or parts included are shown in <i>italics</i> . Refer to above notes: Kit Parts
NI	As a part reference, indicates the part is not illustrated on the diagram.

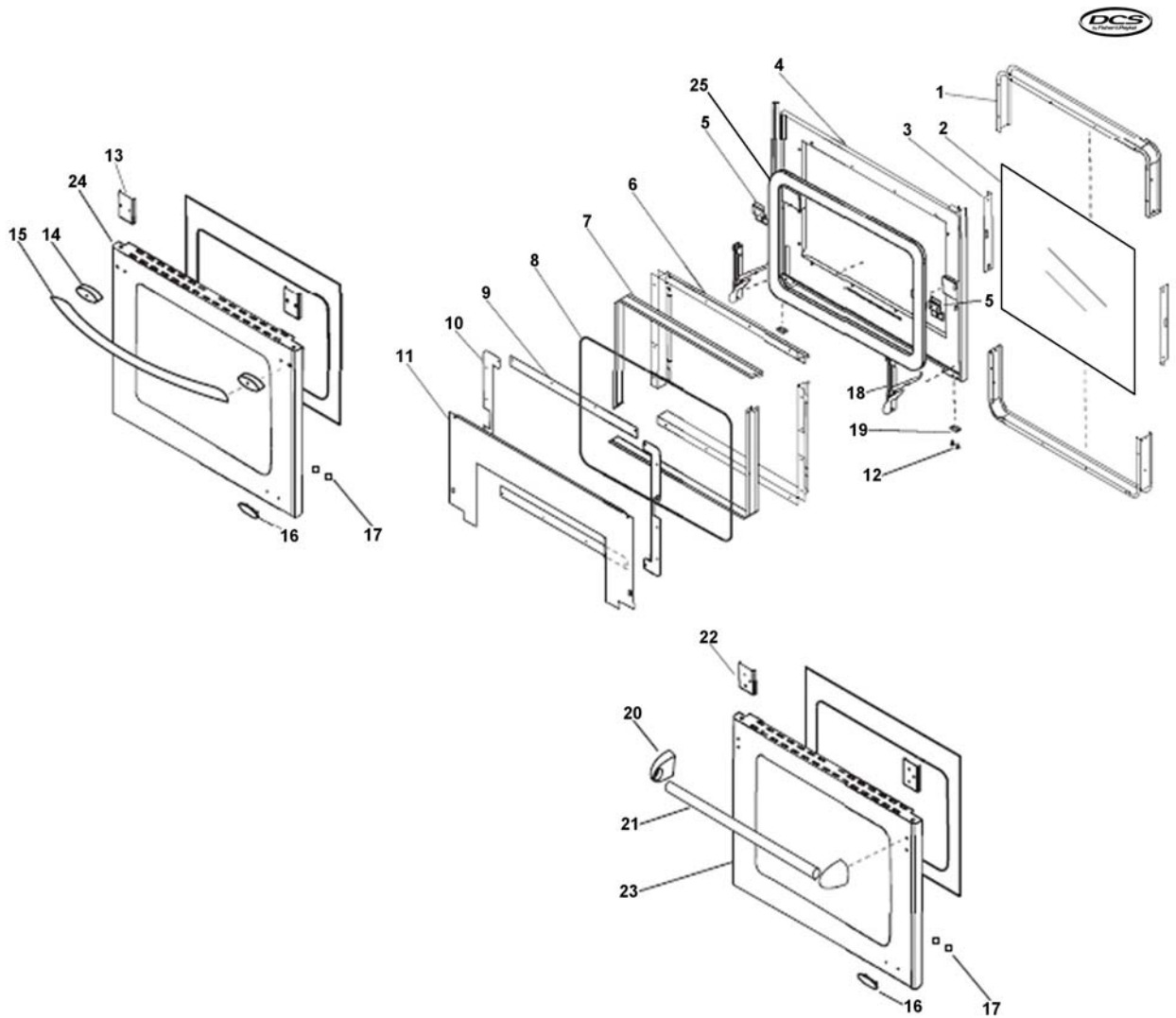
# OVEN CAN COMPONENTS



## OVEN CAN COMPONENTS

REF	PART	DESCRIPTION
1	217177	RACK ASSY
2	211090	RACK ROLLER VERTICAL
3	218150	NUT HEX 10-24 KEPS SS (10 PK)
4	233695	CONV BAFFLE W/A PORCELAIN
5	211703	CONVECTION ELEMENT
NI	211242P	MS 10-24X1/2 PHPN TY F SS 10PK
6	211631	BLADE.ASSY.RG CONVECTION FAN
7	211242P	MS 10-24X1/2 PHPN TY F SS 10PK
8	211242P	MS 10-24X1/2 PHPN TY F SS 10PK
9	211294	SET SCREW 10-32 X 3/16 STAIN
10	233689	PAD CONVECTION W/A
NI	211255	MS 10 X 1/2 FL HD PH TY AB CRS
11	217317	CONVECTION PAD
NI	211242P	MS 10-24X1/2 PHPN TY F SS 10PK
12	211580	MOTOR COOLING BLADE
NI	211255	MS 10 X 1/2 FL HD PH TY AB CRS
13	211877	MOTOR CONV. 120V BRG W/BLADE
14	217099	CONVECTION MOTOR BRACKET
15	211650	TEMP SENSOR
NI	211259	8-32 X 1/4 PHIL PN F-410 SS
16	211710	FOOD PROBE
17	217182	ROLLER SUPPORT LOWER RH W/A
18	217180	ROLLER SUPPORT UPPER RH W/A
19	NOT USED	ITEM NOT USED IN THIS MODEL
20	210370	CATALYST
21	211706	PROBE JACK
22	211090	RACK ROLLER VERTICAL
23	211689	OVEN LAMP ASSY
24	211687	OVEN LAMP REPLACEMENT GE
25	211688	RECEPTACLE
26	217183	ROLLER SUPPORT LOWER LH W/A
27	217181	ROLLER SUPPORT UPPER LH W/A
29	211695	BROIL GLASS
30	211694	BROIL ELEMENT
NI	211250	MS 10-24X 1 PH PN TY F SS
31	217136	RETAINER BROIL GLASS FT/BACK
NI	217137	RETAINER BROIL GLASS LF/RT
NI	211250	MS 10-24X 1 PH PN TY F SS
32	215798	CONV. ASSY 120V BRG W/BLADE
NI	212435	BROILER PAN/TRAY PAN PORC.

# OVEN DOOR COMPONENTS

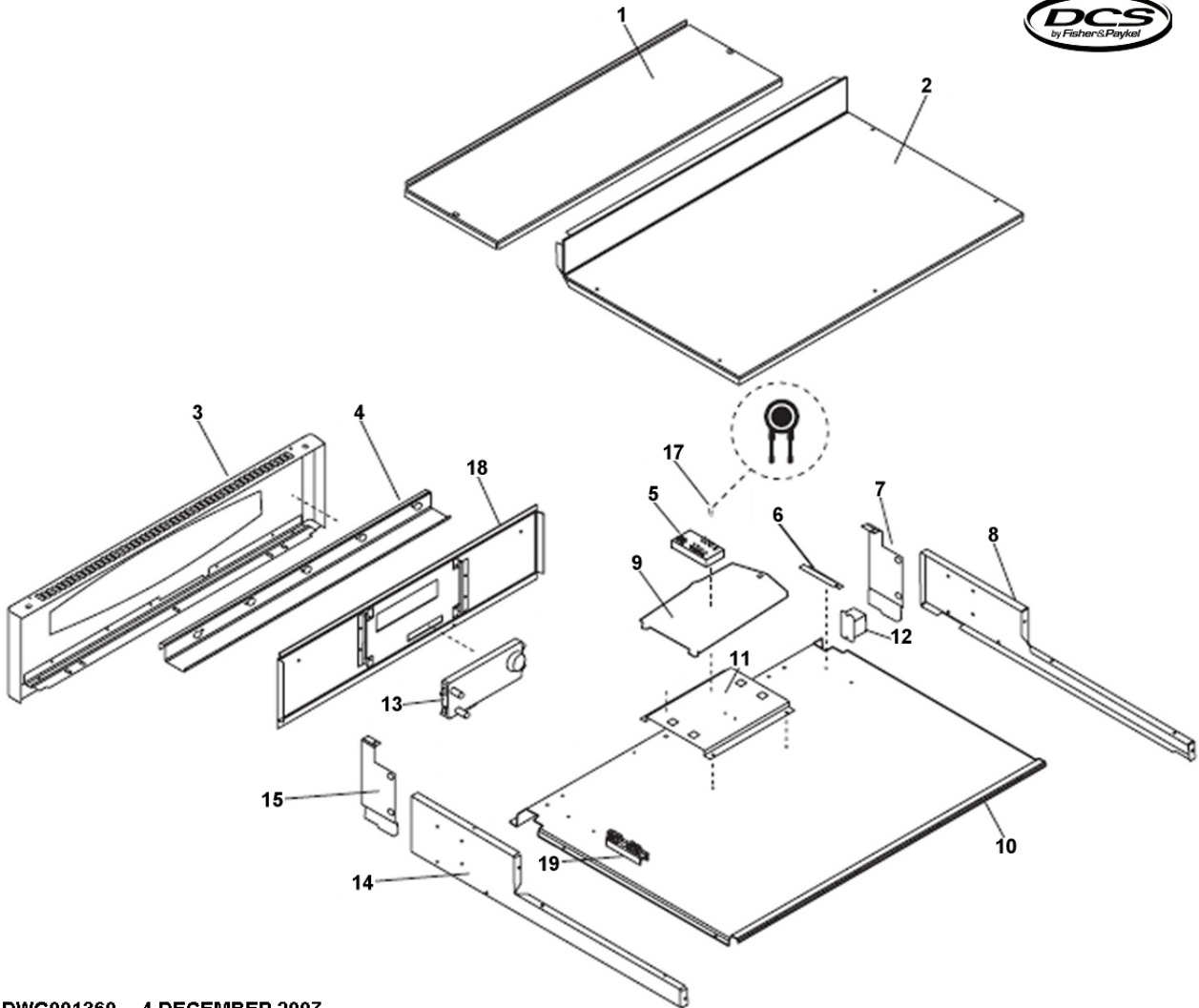




## OVEN DOOR COMPONENTS

REF	PART	DESCRIPTION
1	217194	DOOR SEAL W/A PORC
2	211081	INSIDE DOOR GLASS 227
3	217128	DOOR SEAL CHANNEL
4	217174	LINER DOOR W/A PORCELAIN
5	217095	HINGE TOP BRACKET
6	217125	DOOR INSULATION COVER
7	217126	GLASS SPACER
8	211083	INNER DOOR GLASS 227
9	217122	GLASS COVER TOP/BTM
10	217123	GLASS COVER SIDE
11	233254	DOOR HEAT SHIELD
12	211241P	SMS10-24X1/2PHTRTY23ZI (10PK)
13	217100	HANDLE STIFFENER
14	210495	DOOR HANDLE SPACER CHROME PTD
15	210445	DOOR HANDLE TUBE
16	211957	LOGO DCS (BLACK on CHROME)
17	211419P	LOGO - CLIP (2 PACK)
18	211344	30 DOOR HINGE NUOVA STAR
19	217102	HINGE BOTTOM PLATE
20	NOT USED	ITEM NOT USED IN THIS MODEL
21	NOT USED	ITEM NOT USED IN THIS MODEL
22	NOT USED	ITEM NOT USED IN THIS MODEL
23	NOT USED	ITEM NOT USED IN THIS MODEL
24	217277	DOOR SKIN ASSY SS W/LOGO
25	217370	BORDER INSIDE GLASS PAINTED
NI	211092	DOOR GASKET

# DISPLAY COMPONENTS

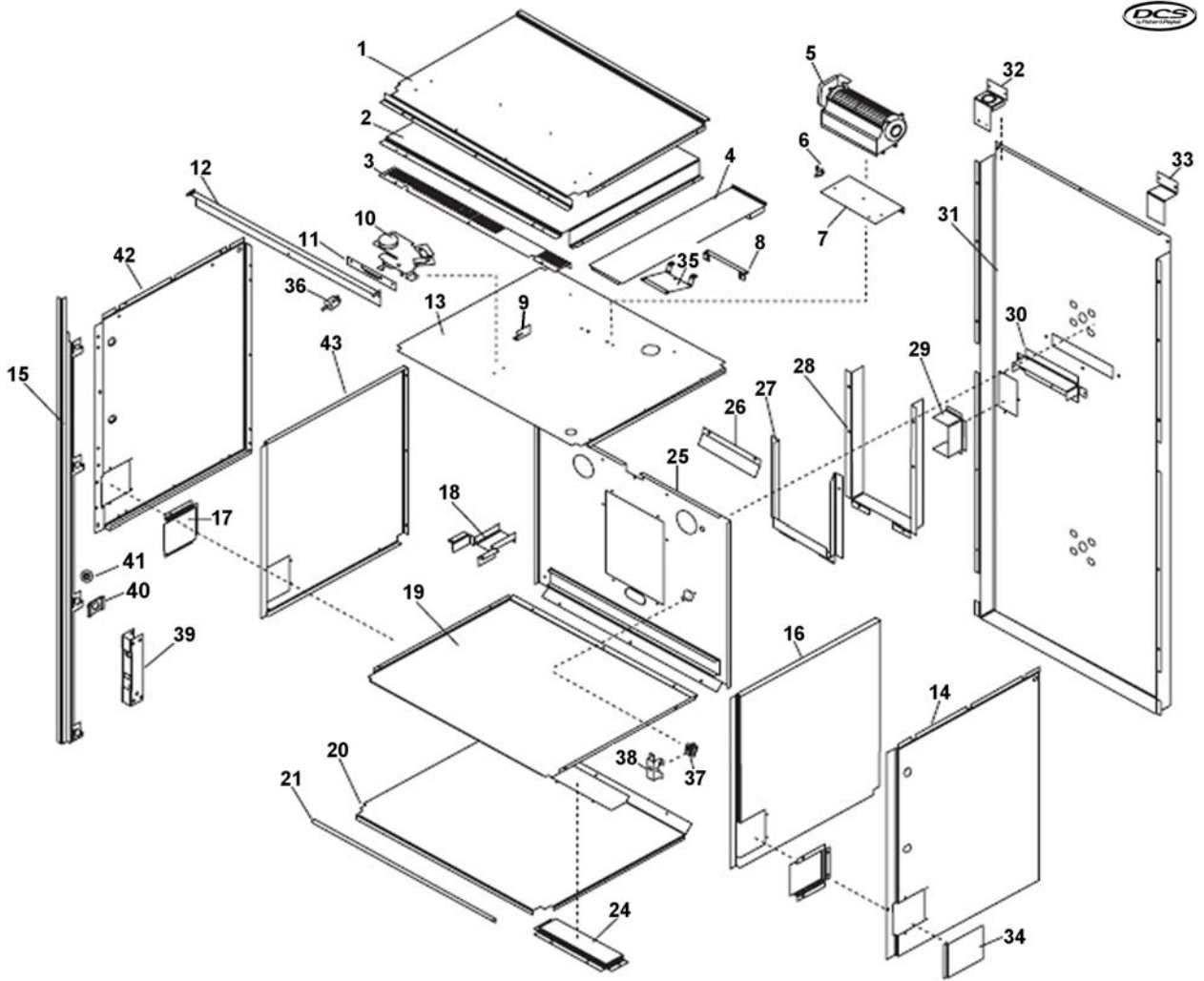


DWG001360 4 DECEMBER 2007

## DISPLAY COMPONENTS

REF	PART	DESCRIPTION
1	217142	CONTROL COVER FRONT PTD
2	217143	CONTROL COVER REAR
3	217167	CONTROL PANEL SKIN W/A SS
4	233159	BOTTOM CONTROL MTG BKT SS
5	211700	TERMINAL BLOCK TSI-3
6	217096	RELAY MOUNT ENDS
7	217139	CONTROL PANEL MTG BKT LH
8	217107	CONTROL BOX SIDE LH
9	218224	KIT MAIN RELAY PCB 27 WO/WOS
10	233097	OUTER AJ TOP
11	233096	RELAY MOUNT CENTER
12	211712	RELAY SPDT
13	218226	KIT EOC SINGLE OVEN
14	217106	CONTROL BOX SIDE RH
15	217138	CONTROL PANEL MTG BKT RH
17	211759	M.O.V. ASSEMBLY
18	219121	KIT CONTROL SYSTEM WO127 BK/SS
19	211768	TERMINAL BLOCK
NI	211794	WIRE HARNESS SINGLE WALL OVEN

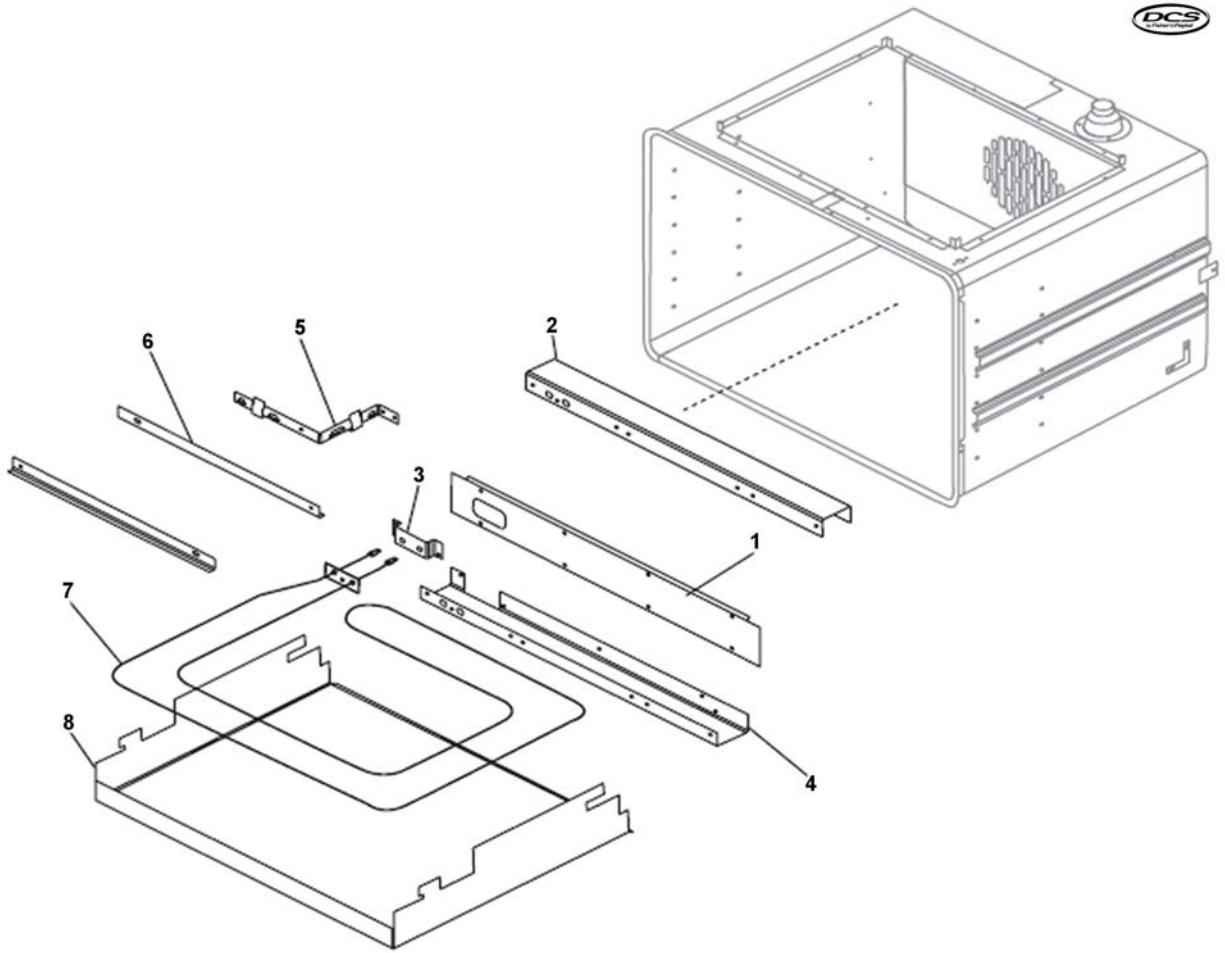
# OVEN COMPONENTS



## OVEN COMPONENTS

REF	PART	DESCRIPTION
1	233097	OUTER AJ TOP
2	233129	AIR DUCT
3	217185	LATCH COVER TOP
4	233185	CATALYST DUCT W/A
5	211705	BLOWER MOTOR
6	211701	BLOWER THERMOSTAT
7	233250	BLOWER MOTOR BKT
8	233249	CATALYST DUCT BKT
9	217135	LATCH RETAINER
10	211691	DOOR LATCH - STH -1994 CLASS B
11	217134	LATCH MOUNT
12	217121	LATCH COVER BOTTOM
13	233146	UPPER AIR JACKET
14	217131	OUTSIDE AIR JACKET RH
15	217314	SIDE TRIM W/A LH PTD BLACK
	217313	SIDE TRIM W/A RH PTD BLACK
16	217129	INSIDE AIR JACKET RH
17	217105	HINGE POCKET
18	233147	BROIL TERMINAL BOX
19	233122	LOWER AIR JACKET
20	233154	LOWER INTAKE DUCT BOTTOM UP
21	217119	DRIP BRACKET
24	233155	BLOWER MOTOR AIR CHAMBER
25	233121	REAR AIR JACKET
26	233099	CONV TOP INSUL RETAINER
27	233128	BTM CONV INSULATION RETAINER
28	233132	CONVECTION CHANNEL
29	233140	BLOWER MOTOR REAR AIR GUARD
30	233156	CONVECTION DUCT
31	233477	BACK COVER
32	217109	CONTROL BOX BOTTOM RH
33	217108	CONTROL BOX BOTTOM LH
34	233114	HINGE COVER
35	217114	CAT SCOOP
36	211651	DOOR LIGHT SWITCH
37	210770	HI-TEMP CUTOUT
38	233115	HTC BRACKET
39	211476	HINGE RECEPTACLE
40	211117	INSIDE SPACER
41	211118	OUTSIDE SPACER
42	217132	OUTSIDE AIR JACKET LH
43	217130	INSIDE AIR JACKET LH
NI	217110	BOTTOM TRIM 27 SS

# BAKE COMPONENTS



DWG000681 21 JULY 2006

**BAKE COMPONENTS**

<b>REF</b>	<b>PART</b>	<b>DESCRIPTION</b>
1	233141	ELEMENT MOUNTING BRACKET
2	233139	BAKE BOX REAR BKT TOP
3	233107	BAKE ELEMENT BKT REAR
4	233138	BAKE BOX REAR BKT BTM
5	233103	BRACKET LONG BAKE ELEMENT
6	233106	BAKE ELEMENT HOLDER
7	211704	BAKE ELEMENT 27 WALL OVEN
8	233130	BAKE ELEMENT BOX
NI	233104	BRACKET SMALL BAKE ELEMENT
NI	233174	BAKE ELEMENT ASSY WO27





## FASTENERS

PART	DESCRIPTION
211238	SM 10 X 1/2 SL TD HWH SMS, ZIN
211248	SMS 6-32X 3/8 PH PN TY F SS
211231	SM 6 X 1/4 PH PN HD TY A ZI
211259	8-32 X 1/4 PHIL PN F-410 SS
211301	MS 4-40 X 1/4 PH RD HD SS
211358	NUT HEX 4-40 SS
211236	SM 10X 3/8 PH TR HD TY AB NI
211304	HEX BOLT M5-8 X 12mm BLK OX
211232	SM 10X 3/8 SL TR HD TY A BK
211263	SMS 8-32x 1/2 PH PN HD TY F SS
211225	SM 10X 1/2 PH TR HD TY AB ZN
211270	MS 6-32 X 1/2 PH PN HD ZN
211396	NUT HEX 6-32 KEPS ZN
211371P	WASHER FLT SS #10 3/4 (10PK)
218131	SM10X3/4 PHTRHD TYABN (10 PK)
211353	NUT HEX 8-32 LK NYLON INST SS
211255	MS 10 X 1/2 FL HD PH TY AB CRS
211233P	MS10X1/2PHTRHDTYAB BKOX (10PK)
211241P	SMS10-24X1/2PHTRTY23ZI (10PK)
211235	SM 10X 3/8 PH TR HD TY A SS
211253	MS 1/4-20X3/8 SL HX HD WH TY F