

Parts Manual

SmartLoad® Dryer

Model:
DEGX2 US FP B

Product Code:
96102-C



care

PRODUCT

Brand	Fisher & Paykel
Voltage	220-240V 60Hz
Model	DEGX2 US FP B
Product Code	96102-C

Fisher & Paykel Appliances Inc
5800 Skylab Rd,
Huntington Beach
California, CA92647
USA
Telephone: 888 936 7872
E-mail:
customer.care@fisherpaykel.com

CONTENTS

TOP DECK AND ELECTRONICS	6
CABINET, DRUM AND INLET DUCT	8
OUTLET DUCT	12
CHASSIS COMPONENTS & MOTOR ASSEMBLY	14
SUBDECK ASSEMBLY & DRUM DOOR ASSEMBLY	16
BASE PANEL AND COMPONENTS.....	18

GUIDE TO USING THIS MANUAL

The model covered by this manual is listed on the front cover.

The information detailed in this manual is subject to change without notice. The latest version is indicated by the reprint date and replaces any earlier editions.

The front cover picture shows the type of product and may not necessarily be an exact image of the model covered by the manual.

Kit Parts

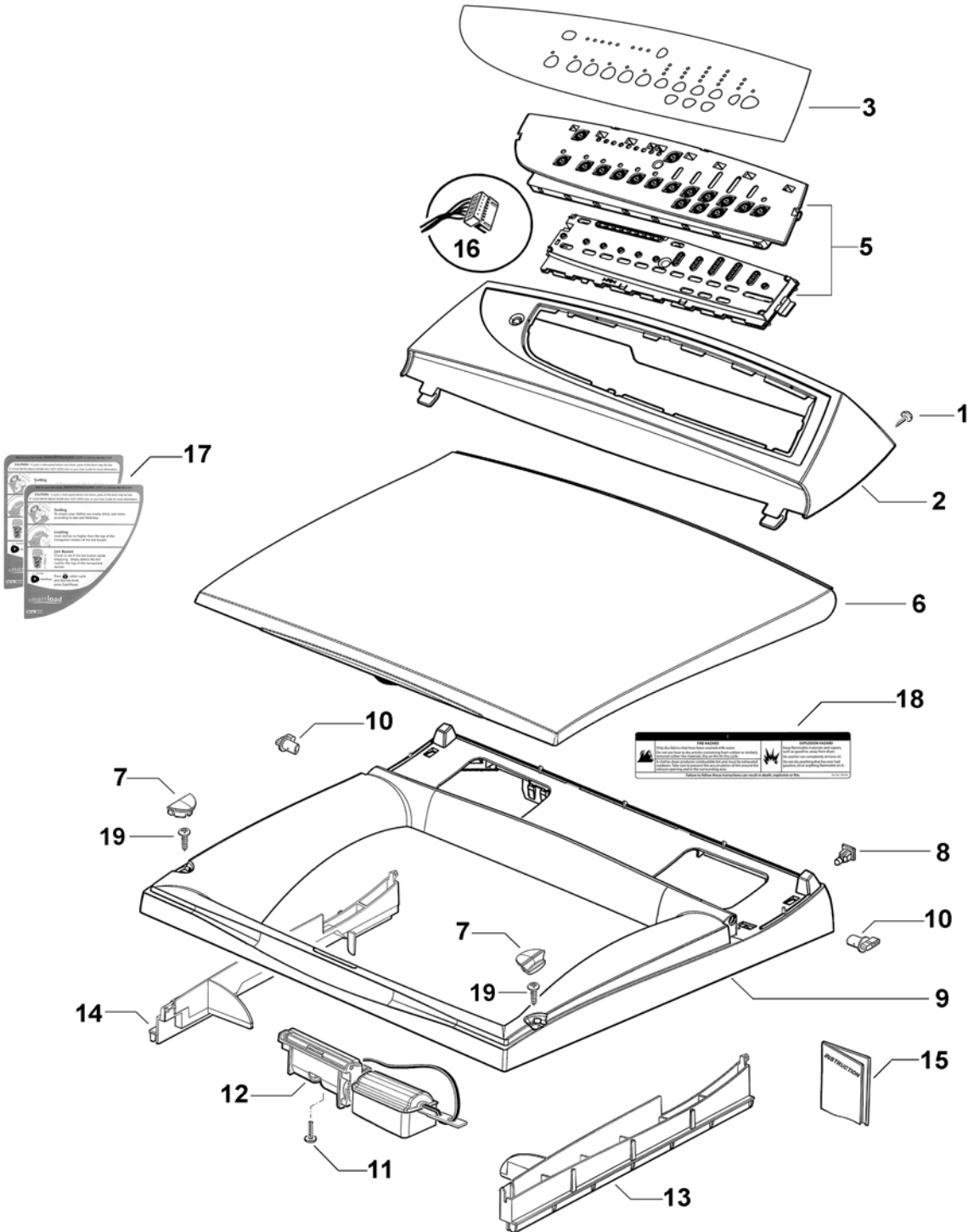
The components shown in *italics with a part number* are those parts in the kit which are available also as separate items. In addition, some parts may be supplied with this kit which are not available as separate items and are therefore either not listed or a part number is not shown against the part description in this manual.

Parts List Key

NOT USED	As a part, indicates the diagram part reference is not used in this manual.
<i>italics</i>	Kit components or parts included are shown in <i>italics</i> . Refer to above notes: Kit Parts
NI	As a part reference, indicates the part is not illustrated on the diagram.

TOP DECK AND ELECTRONICS

FisherPaykel
APPLIANCES

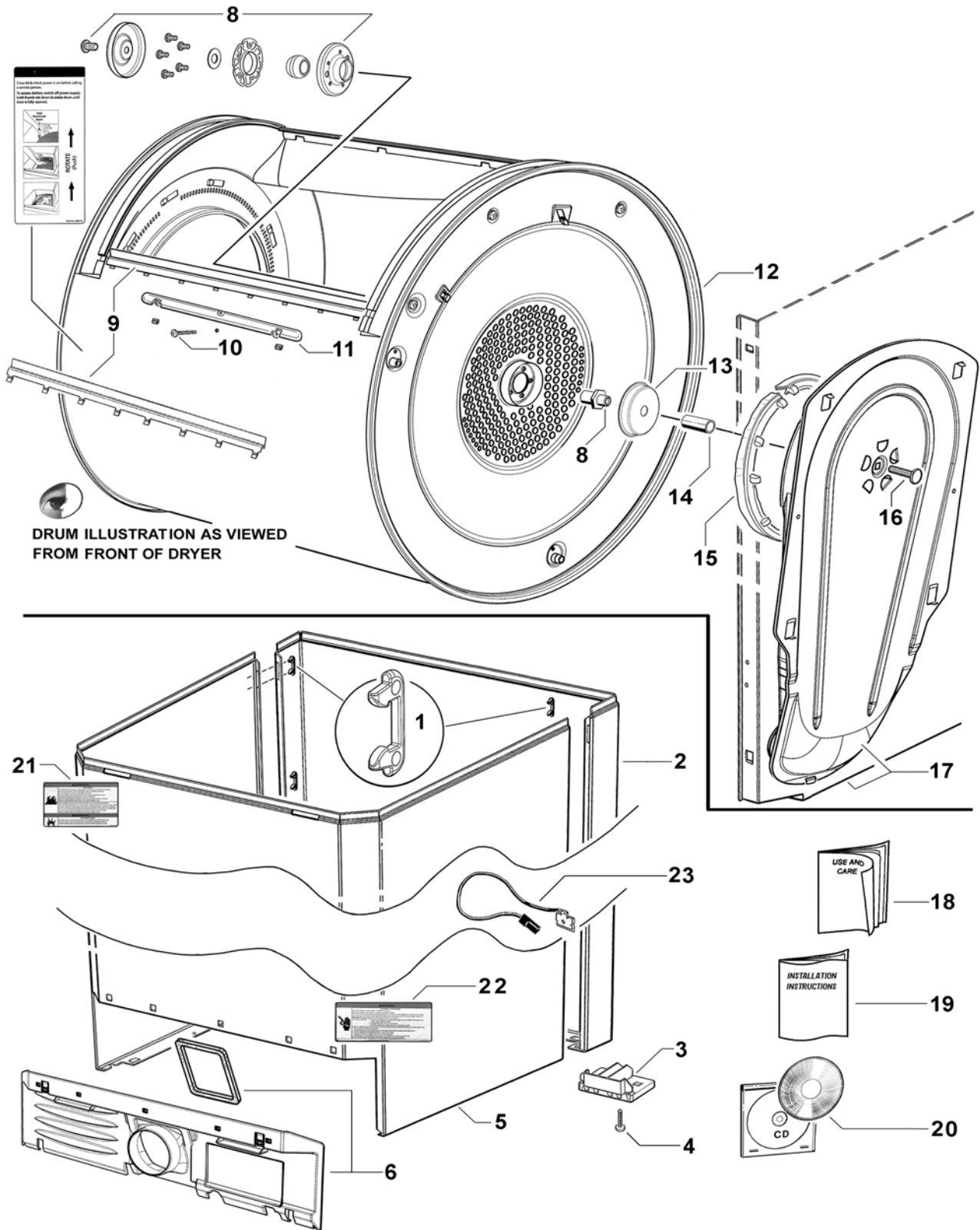


DWG000981

TOP DECK AND ELECTRONICS

REF	PART	DESCRIPTION
1	611933P	SCREW ST 8X5/8 TA MTS PH HS ZNPL (PKT 10)
2	395126	CONSOLE DX1
2	395262	CONSOLE PRINTED DX1
3	??????	PANEL CONTROL PRINTED
3	395644	PANEL CONTROL DX1 (Silver)
5	395724P	DISPLAY KIT DRYER DX1 SVC
	<i>Includes</i>	<i>DISPLAY ASSY DX1</i>
	<i>Includes</i>	<i>INSERT CONSOLE</i>
	<i>Includes</i>	<i>INSTRUCTION SHEET</i>
6	395116P	LID ASSEMBLY DX1
7	395120P	BUFFER LID DX1 (PKT 2)
8	422402	NUT SNAP/SPIRE P0071/05/01/00
9	395118	TOP DECK ASSEMBLY DX1
	<i>Includes 422402</i>	<i>NUT SNAP/SPIRE (2)</i>
	<i>Includes 426825</i>	<i>HINGE LID SD11/DX1 (2)</i>
	<i>Includes 395440</i>	<i>BRACKET T OP DECK INLET DX1</i>
	<i>Includes 395441</i>	<i>BRACKET T OP DECK OUTLET DX1</i>
10	426825P	HINGE LID SD11/DX1 (PKT2)
11	611808P	SCREW ST 8X1/2 T25 PAN PH SS 430S (PKT 10)
12	395498	LIDLOCK & HARNESS ASSY DX1
13	395440	BRACKET T OP DECK INLET DX1
14	395441	BRACKET T OP DECK OUTLET DX1
15	395745	LEAFLET SERVICE SUMMARY DX / AERO
16		HARNESS DISPLAY MODULE – Part of Lidlock and Harness assy 395498
17	395702	LABEL LID USE & CARE DX
	395703	LABEL LID USE & CARE DX SP
18	395681	LABEL USER WARNING US
	395605	LABEL USER WARNING FRENCH / CANADIAN
19	611805P	SCREW ST 8X16 PLASTITE PAN PH (PKT 10)

CABINET, DRUM AND INLET DUCT

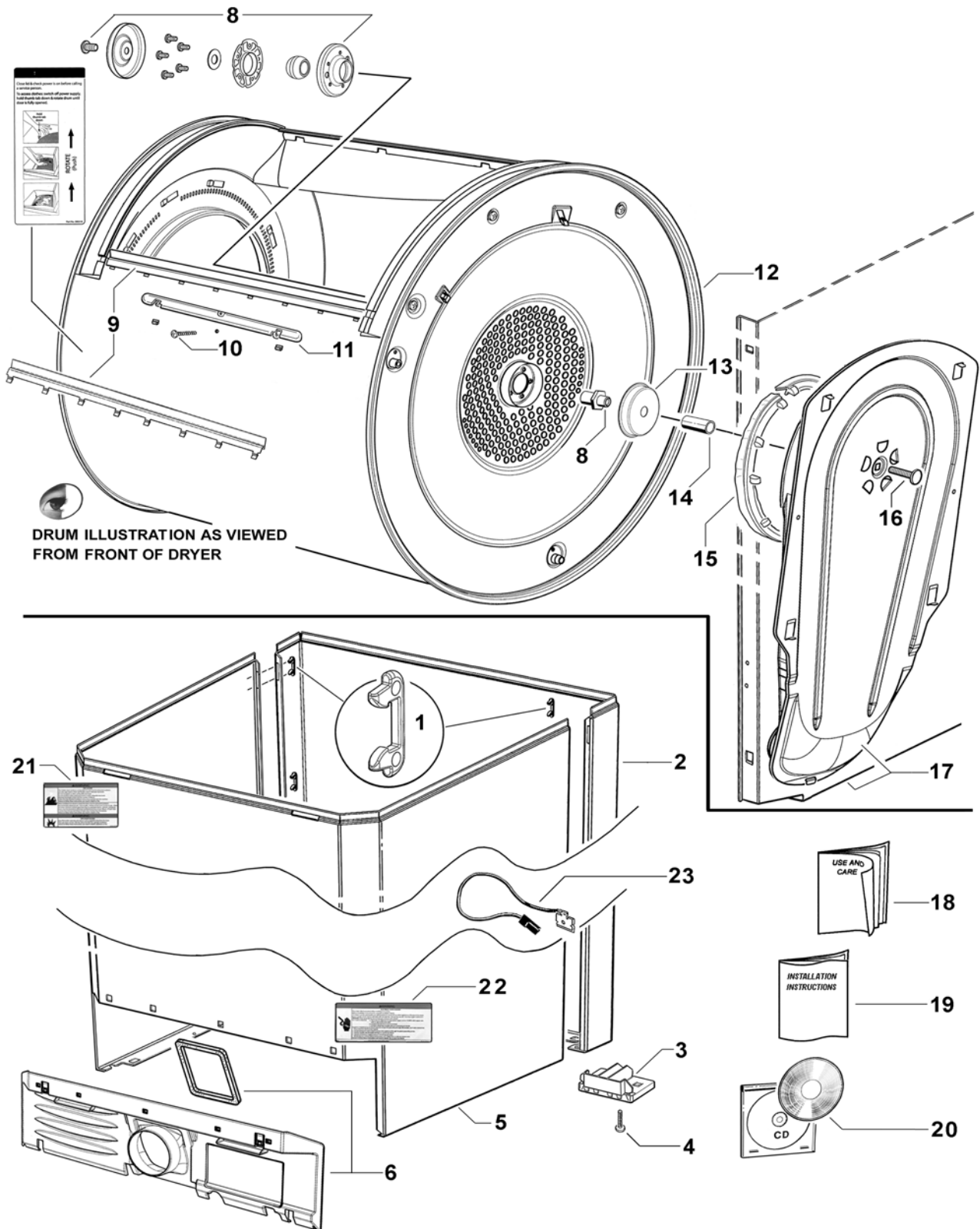


CABINET, DRUM AND INLET DUCT

REF	PART	DESCRIPTION
1	395108P	LOCATOR PANEL (PKT 6)
2	395581P	CABINET FRONT ASSEMBLY DX1
	<i>Includes 395110</i>	<i>BRACKET CABINET FRONT (2)</i>
	<i>Includes 395277</i>	<i>CABLE ASSEMBLY CABINET FRONT EARTH</i>
	<i>Includes 611805</i>	<i>SCREW ST 8X16 PLASTITE PAN ZNPL (2)</i>
3	395110	BRACKET CABINET FRONT
4	611805P	SCREW ST 8X16 PLASTITE PAN PH (PKT10)
5	395598	KIT CABINET ASSEMBLY PKD
	<i>Includes</i>	<i>CABINET FRONT</i>
	<i>Includes</i>	<i>CABINET REAR</i>
	<i>Includes</i>	<i>BRACKET & LEVELLING FOOT (2)</i>
	<i>Includes 395108</i>	<i>LOCATOR PANEL (6)</i>
	<i>Includes 395141</i>	<i>PANEL BASE DX1</i>
	<i>Includes 395415</i>	<i>FOOT SELF ADJUSTING (2)</i>
	<i>Includes 395416</i>	<i>GUIDE FOOT ADJUSTING (2)</i>
	<i>Includes 395417</i>	<i>BRACKET GUIDE FOOT (2)</i>
	<i>Includes 395418</i>	<i>STRAP FOOT ADJUSTING</i>
	<i>Includes 395652</i>	<i>LABEL KIT CABINET REAR - TOP LOADING DRYER</i>
6	395578	GRILLE INTAKE WITH SEAL DX1
	<i>Includes 395653</i>	<i>SEAL FAN OUTLET STRIP</i>
8	479332	KIT BEARING INLET
	<i>Includes</i>	<i>SCREW M8X12 BUTTON SOCKET</i>
	<i>Includes</i>	<i>CAP DRUM INLET</i>
	<i>Includes</i>	<i>SCREW MC M4X12 TAPTITE HEX W ZNPL(5)</i>
	<i>Includes</i>	<i>WASHER THRUST</i>
	<i>Includes</i>	<i>RETAINER BEARING INLET ASSY</i>
	<i>Includes</i>	<i>BEARING DRUM INLET</i>
	<i>Includes</i>	<i>HOUSING BEARING DRUM INLET</i>
	<i>Includes</i>	<i>SHAFT BEARING INLET</i>
	<i>Includes</i>	<i>INSTRUCTION SHEET</i>
9	395374	SCRAPER DOOR DRUM DX1
10	611804P	SCREW TRUSS HD PH SS PLASTITE (PKT 10)
11	395528	BEARING DRUM DOOR
12	395014P	DRUM ASSY DX1
	<i>Includes 395678</i>	<i>LABEL DRUM DOOR</i>
13	395406	SHIELD DUCT INLET
14	395064	SPACER BEARING INLET
15	395458	SEAL DUCT INLET
16	395065	BOLT BEARING INLET

Continued next page

CABINET, DRUM AND INLET DUCT

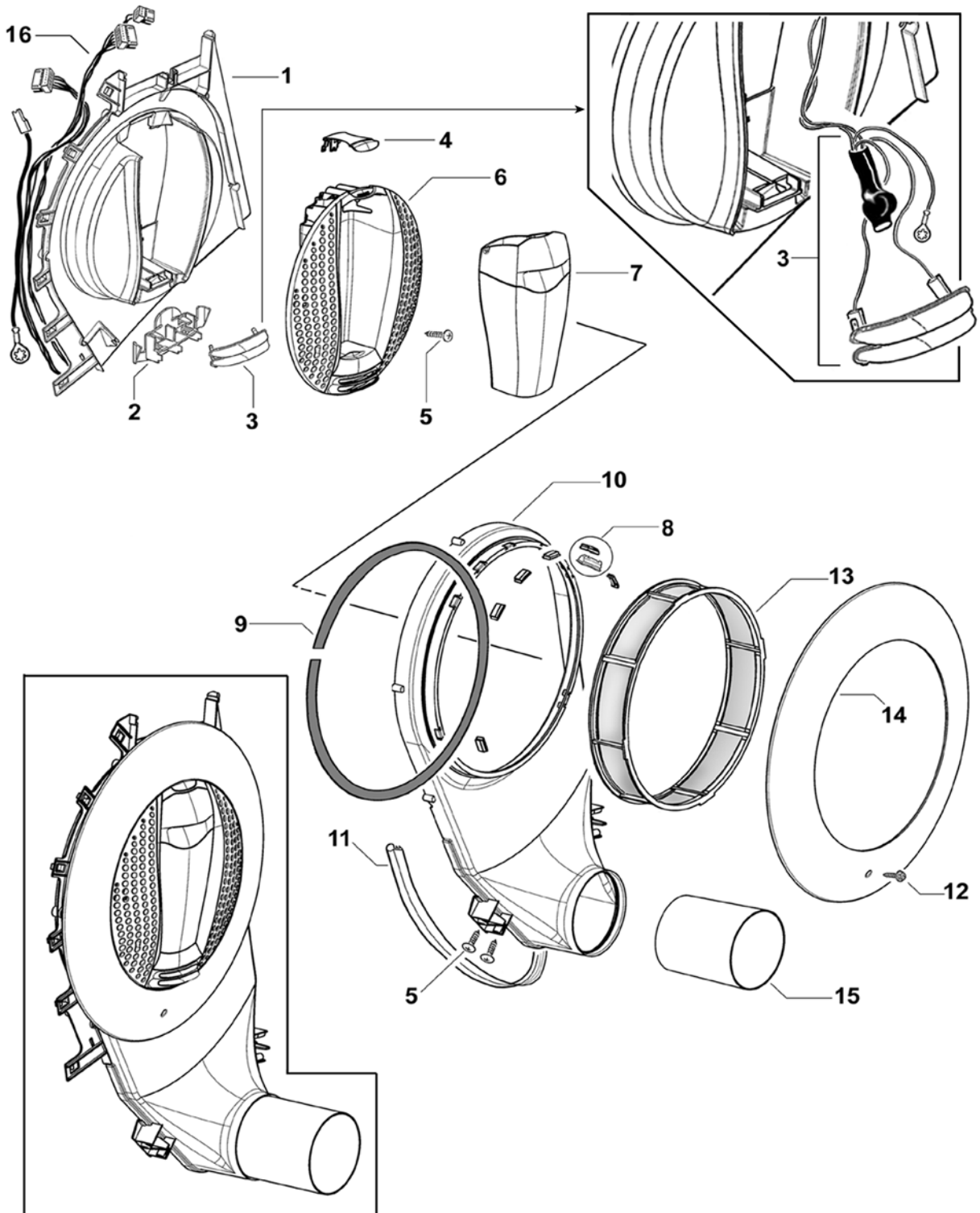


DWG000049

CABINET, DRUM AND INLET DUCT

REF	PART	DESCRIPTION
17	395055P	CHASSIS INLET ASSY DX1
	<i>Includes</i>	<i>PANEL CHASSIS INLET</i>
	<i>Includes</i>	<i>DUCT INLET BACK</i>
	<i>Includes</i>	<i>DUCT INLET FRONT</i>
	<i>Includes</i>	<i>SHAFT BEARING INLET</i>
	<i>Includes</i> 395064	<i>SPACER BEARING INLET</i>
	<i>Includes</i> 395065	<i>BOLT BEARING INLET</i>
	<i>Includes</i> 395406	<i>SHIELD DUCT INLET</i>
	<i>Includes</i> 395458	<i>SEAL DUCT INLET</i>
18	395691	BOOK USE & CARE+INSTALL DX G US (Electric/Gas English/Spanish)
19	395691	BOOK INSTALLATION INST DEG X2 US
	395606	BOOK INSTALL/USE & CARE FRENCH / CANADIAN
	395660	BOOK USER GUIDE DX1 US
20	NOT USED	
21	395652	LABEL KIT CABINET REAR
	<i>Includes</i> 395321	<i>LABEL INSTALLER ELECTRICAL (Cabinet Rear)</i>
	<i>Includes</i> 395675	<i>LABEL INSTALLER ELECTRICAL SP (Cabinet Rear)</i>
	<i>Includes</i> 395322	<i>LABEL INSTALLER GAS (Cabinet Rear)</i>
	<i>Includes</i> 395672	<i>LABEL INSTALLER GAS SP (Cabinet Rear)</i>
	<i>Includes</i> 395682	<i>LABEL INSTALLER WARNING ENG+SP (Cabinet Rear)</i>
	<i>Includes</i> 395651	<i>INSTRUCTION SHEET</i>
22	395602	LABEL INSTALLER ELECTRICAL FRENCH / CANADIAN
	395601	LABEL INSTALLER GAS FRENCH / CANADIAN
	395603	LABEL INSTALLER WARNING FRENCH / CANADIAN
23	395277	CABLE ASSEMBLY CABINET FRONT EARTH
NI	395715	CARTON DX1 SMARTPAC
NI	395363	PACKER DRUM DX1
NI	395207	PACKER BASE DX1 VAC FORMED

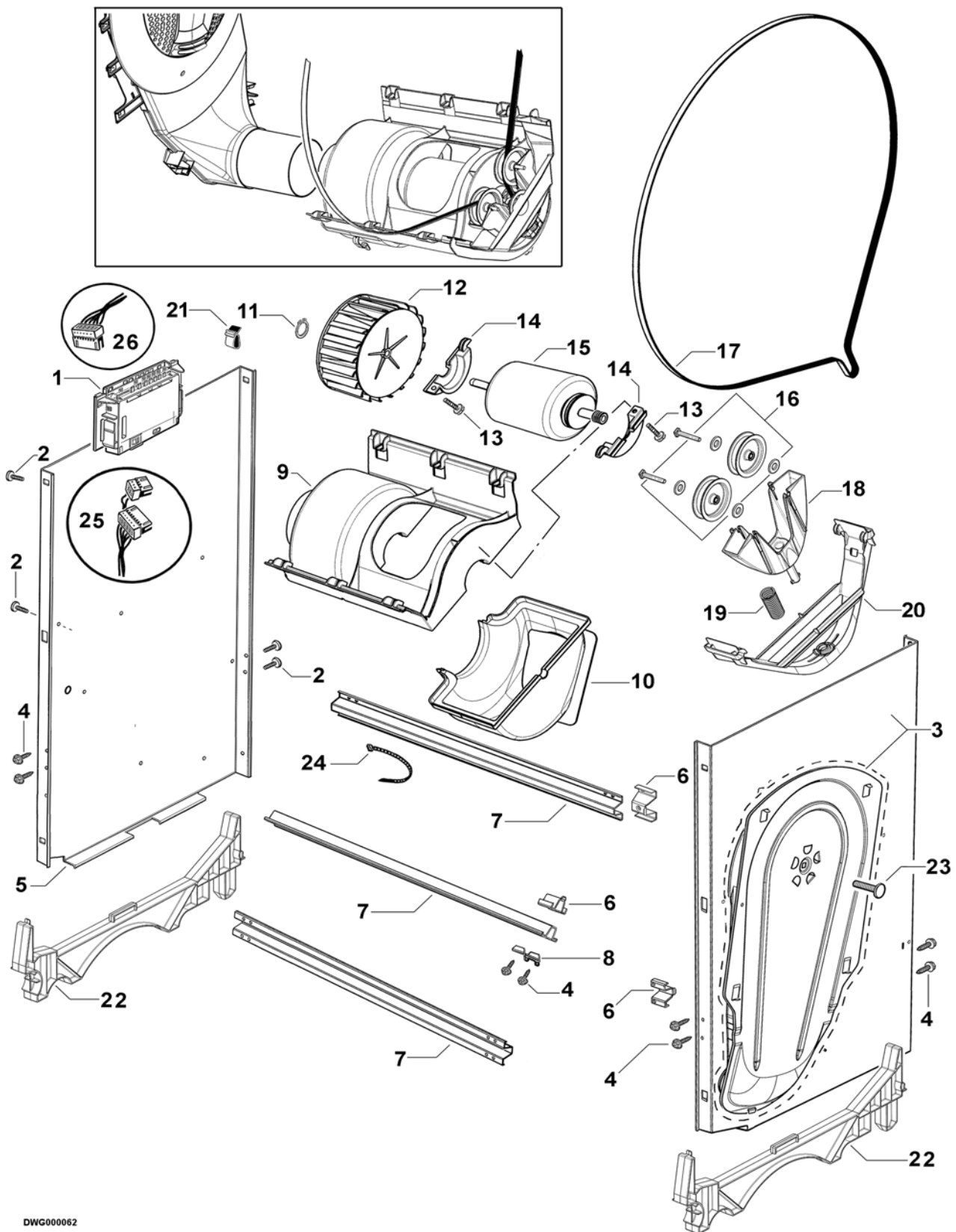
OUTLET DUCT



OUTLET DUCT

REF	PART	DESCRIPTION
1	395005	BRACKET HOUSING COLLECTOR
2	395404	BRACKET CONTACT CONDUCTIVITY
3	395424P	CONTACT CONDUCTIVITY(PKT 2)
	<i>Includes 395143</i>	<i>HARNES CONDUCTIVITY CONTACTS</i>
4	395138	SCRAPER LINT
5	611805P	SCREW ST 8X16 PLASTITE PAN PH (PKT 10)
6	395136	HOUSING COLLECTOR LINT
7	395249	COLLECTOR LINT ASSY
8	395560P	BEARING ASSY DRUM OUTLET DX1 (PKT 7)
9	395432	SEAL DUCT OUTLET
10	395074	DUCT OUTLET DX1 ASSY
	<i>Includes 395432</i>	<i>SEAL DUCT OUTLET</i>
	<i>Includes 395560</i>	<i>BEARING ASSY (7)</i>
11	395478	GASKET DUCT
12	610213P	SCREW M4X8 TAPTITE HXW ZNP (PKT 10)
13	395541	FILTER LINT ASSY
	<i>Includes</i>	<i>SEAL FILTER LINT</i>
14	395133	RETAINER FILTER LINT DX1
15	395038	TUBE DX1
16	395381	HARNES SENSOR MODULE

CHASSIS COMPONENTS & MOTOR ASSEMBLY

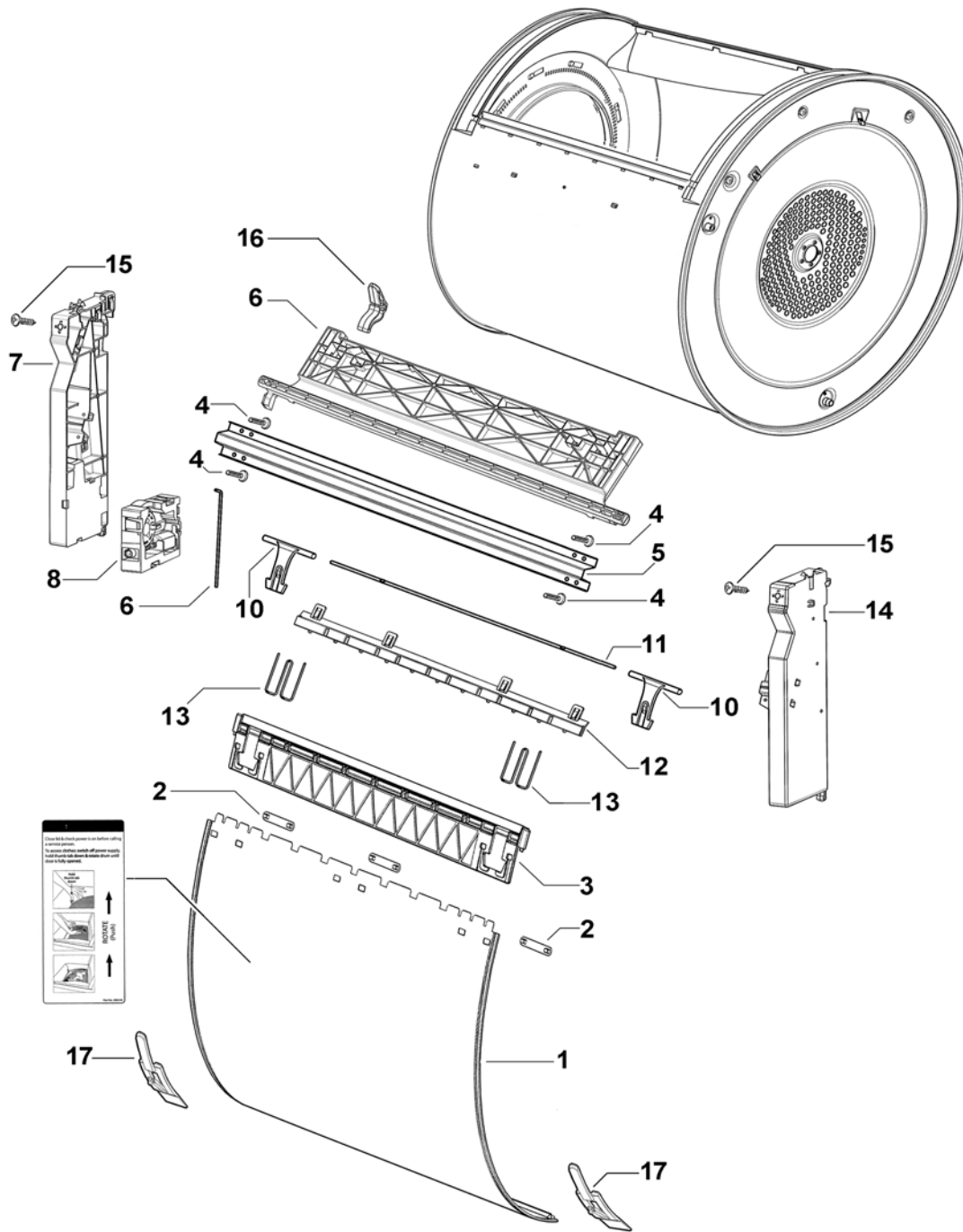


DWG000062

CHASSIS COMPONENTS & MOTOR ASSEMBLY

REF	PART	DESCRIPTION
1	395628P	MODULE SENSOR ASSY
	<i>Includes 395009</i>	<i>LENS POSITION SENSOR</i>
2	611805P	SCREW ST 8X16 PLASTITE PAN PH (PKT 10)
3	395055P	CHASSIS INLET ASSY DX1
	<i>Includes</i>	<i>PANEL CHASSIS INLET</i>
	<i>Includes</i>	<i>DUCT INLET BACK</i>
	<i>Includes</i>	<i>DUCT INLET FRONT</i>
	<i>Includes</i>	<i>SHAFT BEARING INLET</i>
	<i>Includes 395064</i>	<i>SPACER BEARING INLET</i>
	<i>Includes 395065</i>	<i>BOLT BEARING INLET</i>
	<i>Includes 395406</i>	<i>SHIELD DUCT INLET</i>
	<i>Includes 395458</i>	<i>SEAL DUCT INLET</i>
4	610213P	SCREW MC M4X8 TAPTITE HXW ZNP (PKT 10)
5	395079P	PANEL CHASSIS OUTLET DX1
6	395095	BRACKET BEAM
7	395094	BEAM CHASSIS DX1
8	395101	BRACKET BACKING
9	395482	HOUSING MOTOR FAN
10	395037	HOUSING FAN
11	613405	CIRCLIP EXT STD 12MM / DIN471
12	395034	FAN
13	425150P	SCREW 1/4 X 1" PLASTITE 60 (PKT 10)
14	395056P	CLAMP MOTOR MOUNTING (PKT 2)
15	395222P	FAN & MOTOR ASSY 3 PHASE 250W
	<i>Includes 395034</i>	<i>FAN, 613405 CIRCLIP EXT STD 12MM / DIN471</i>
16	395579	KIT JOCKEY PULLEY
	<i>Includes</i>	<i>PIN JOCKEY 6.3DIA X 3.5 X 43 SQ HD (2)</i>
	<i>Includes</i>	<i>WASHER 6.5 X 14 X 1 NYLON (4)</i>
	<i>Includes</i>	<i>PULLEY BELT TENSIONER ASSY (2)</i>
17	395048	BELT DX1
18	395513	YOKE BELT TENSIONER
19	395570	SPRING BELT TENSIONER
20	395250	BRACKET BELT TENSIONER
21	613713	CLIP PIPE UNITED CARR CAC261 PPBK
22	395420	BRACKET PANEL CHASSIS
23	395065	BOLT BEARING INLET
24	621957P	TIE CABLE 102MM UL MS90387-1 (PKT 10)
25	395381	HARNESS SENSOR MODULE
26		HARNESS DISPLAY MODULE – Part of Lidlock and Harness assy

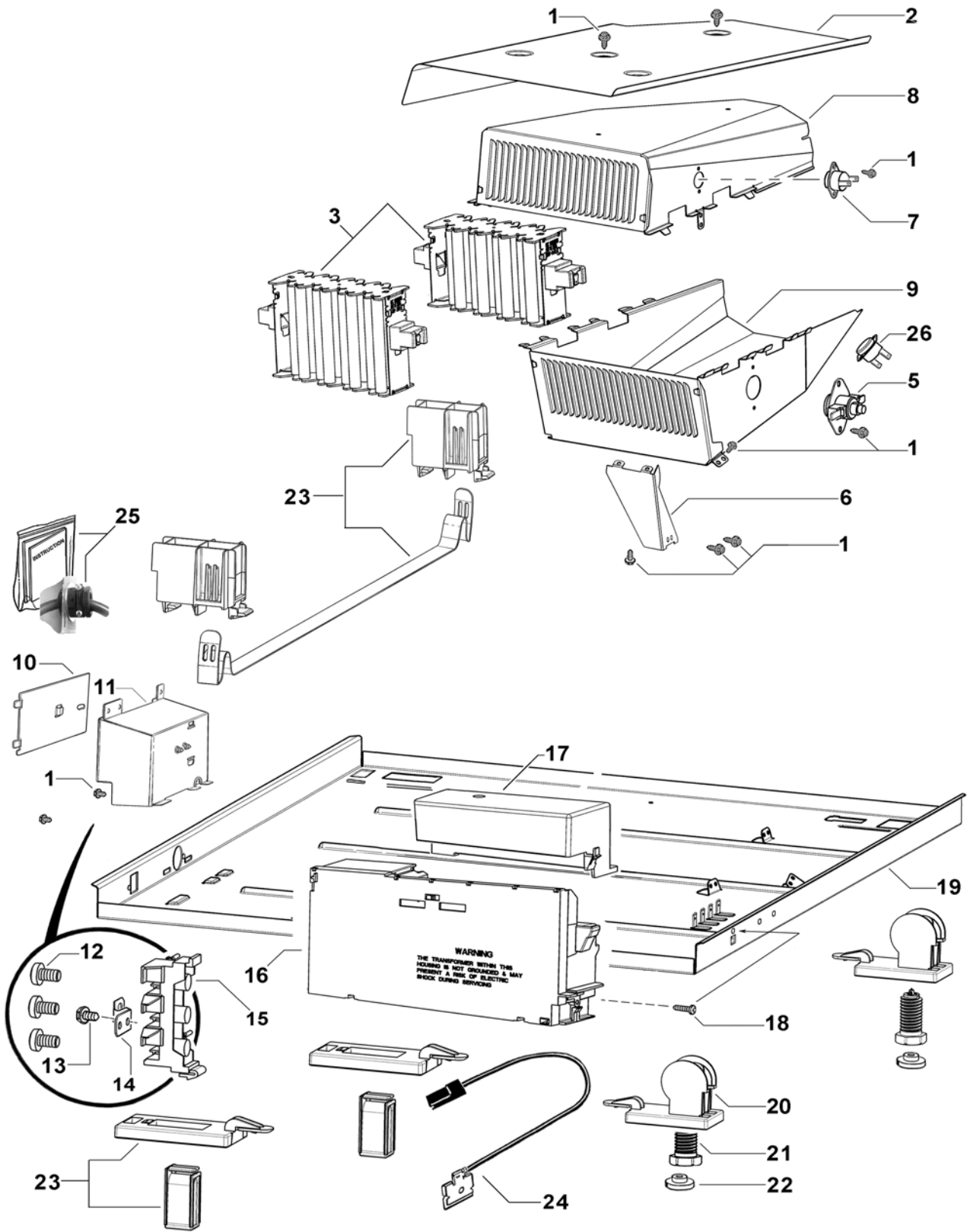
SUBDECK ASSEMBLY & DRUM DOOR ASSEMBLY



SUBDECK ASSEMBLY & DRUM DOOR ASSEMBLY

REF	PART	DESCRIPTION
1	395025P	DOOR DRUM DX1
	<i>Includes 395678</i>	<i>LABEL DOOR DRUM</i>
2	395362P	CLIP BRACKET DOOR (PKT 3)
3	395029	BRACKET DOOR DX1
4	611805P	SCREW ST 8X16 PLASTITE PAN PH (PKT10)
5	395094	BEAM CHASSIS DX1
6	395169P	GRABBER DOOR KIT
	<i>Includes</i>	<i>GRABBER DOOR</i>
	<i>Includes</i>	<i>LINKAGE GRABBER DOOR</i>
7	395159	HOUSING GRABBER OUTLET
8	395693	ACTUATOR
10	395026	ARM HINGE
11	395027	BAR LOCKING DX1
12	395372	KEY BRACKET DOOR DX1
13	395028P	SPRING HINGE (PKT 2)
14	395158	HOUSING GRABBER INLET
15	611933P	SCREW ST 8X5/8 TA MTS PH HS ZNPL (PKT 10)
16	395521	TAB USER INTERVENTION
17	395526P	BUFFER DOOR DRUM (PKT 2)

BASE PANEL AND COMPONENTS



DWG000109

BASE PANEL AND COMPONENTS

REF	PART	DESCRIPTION
1	610216P	SCREW MC M4X8 TAPTITE PAN ZNPL (PKT 10)
2	395527	SHIELD HEATER
3	395583	KIT ELEMENT 220/240V DX1
	<i>Includes</i>	<i>ELEMENT ASSY 240V 3.6KW</i>
	<i>Includes</i>	<i>ELEMENT ASSY 240V 1.4KW</i>
5	395155	THERMOSTAT MANUAL RESET
6	395228	BRACKET HOUSING HEAT
7	395668	THERMOSTAT AUTO RESET EXPOSED DISC
8	395355	HOUSING COMBUSTION TOP
9	395353	HOUSING ELEMENT BOTTOM
10	395234	COVER HOUSING MAINS
11	395641	HOUSING MAINS DXI IEC
12	610413P	SCREW MC M6X10 PAN PHSL ST ZNPL (PKT 10)
13	610214P	SCREW M4X8 No 2 PH TAPTITE WAXED GREEN (PKT 10)
14	395643	LINK EARTH MAINS IEC
15	395615	TERMINAL BLOCK IEC
16	395664USP	MODULE MOTOR CONTROL 240V DEX US
17	395542	LID MODULE MOTOR CONTROL DX1
18	611805P	SCREW ST 8X16 PLASTITE PAN PH (PKT 10)
19	395141P	PANEL BASE DX1
20	395144	BRACKET FOOT
21	472969P	KIT FOOT & INSERT
	<i>Includes 426153</i>	<i>FOOT LEVELLING</i>
	<i>Includes</i>	<i>INSERT FOOT</i>
22	479183	INSERT FOOT (PKT 4)
23	395576	KIT FOOT SELF ADJUSTING
	<i>Includes 395415</i>	<i>FOOT SELF ADJUSTING (2)</i>
	<i>Includes 395416</i>	<i>GUIDE FOOT ADJUSTING (2)</i>
	<i>Includes 395417</i>	<i>BRACKET GUIDE FOOT (2)</i>
	<i>Includes 395418</i>	<i>STRAP FOOT ADJUSTING DX1</i>
24	395277	CABLE ASSY CABINET FRONT EARTH
25	395650	KIT MAINS CLAMP
26	395455	THERMOSTAT AUTO RESET
NI	395145	HARNESS ELECT ELEMENT & MAINS
	<i>Includes 395233</i>	<i>HOUSING POSILOC</i>
	<i>Includes 395615</i>	<i>TERMINAL BLOCK IEC</i>
	<i>Includes 395668</i>	<i>THERMOSTAT AUTO RESET EXPOSED DISC</i>
	<i>Includes 395455</i>	<i>THERMOSTAT AUTO RESET</i>
NI	395152	HARNESS THERMOSTAT MAN RESET
NI	395630	CORD POWER NORMA 44150 (Canada Only)