



THE PROFESSIONAL RANGE

Parts Lists

MODEL: DCS-RD-304
PRODUCT CODE: 234400



PRODUCT

Brand	DCS
Voltage	110V 60Hz
Model	DCS-RD-304
Product Code	234400

Fisher & Paykel Appliances
5900 Skylab Road, Huntington Beach,
CA 92647
Customer Care: (888) 281-5698
Fax: (714) 372-7003
www.dcsappliances.com
support@dcsappliances.com

234400

CONTENTS

BODY COMPONENTS	6
BACK GUARD COMPONENTS	8
TOP BURNER COMPONENTS	10
OVEN COMPONENTS	12

GUIDE TO USING THIS MANUAL

The model covered by this manual is listed on the front cover.

The information detailed in this manual is subject to change without notice. The latest version is indicated by the reprint date and replaces any earlier editions.

The front cover picture shows the type of product and may not necessarily be an exact image of the model covered by the manual.

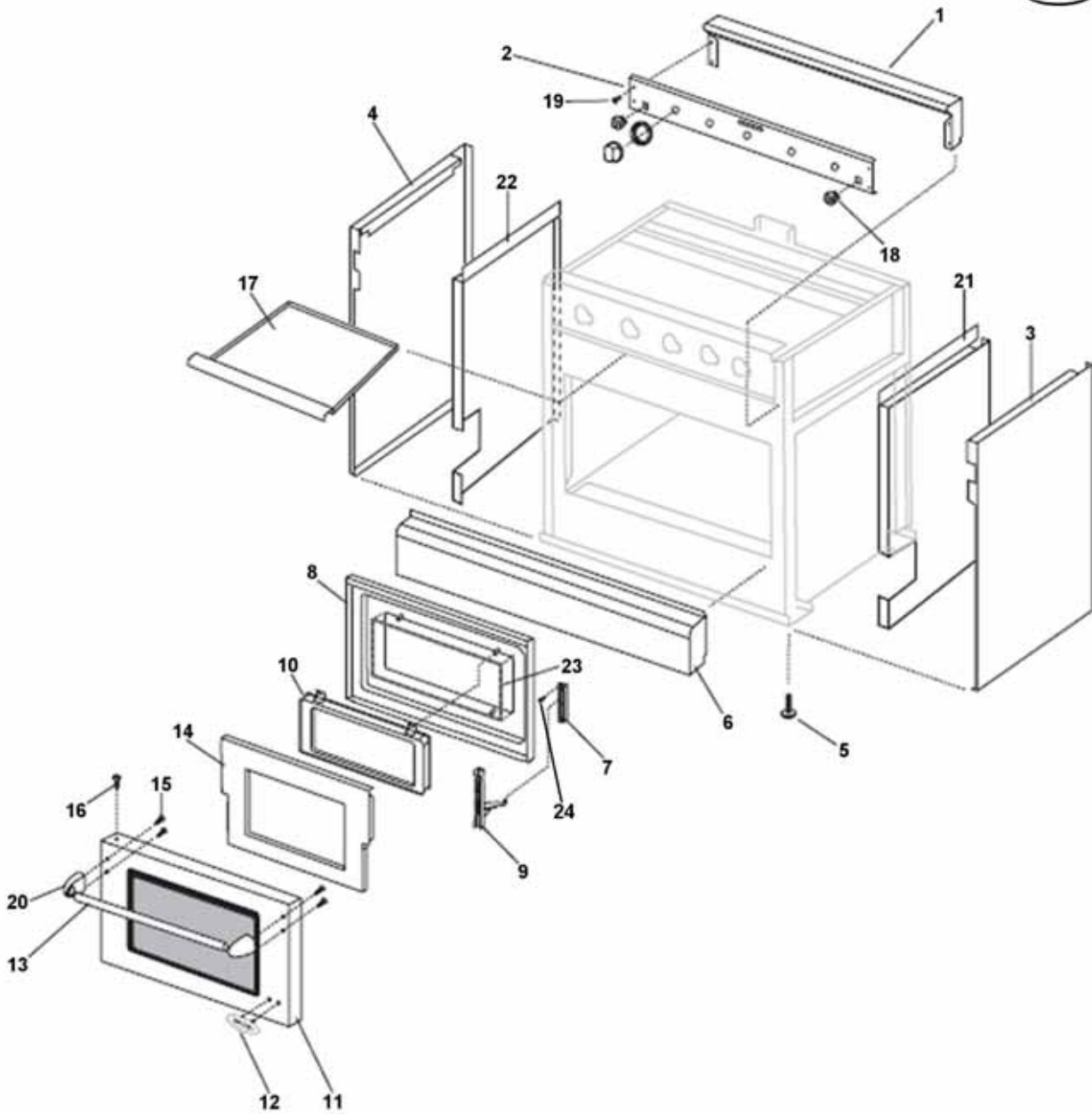
Kit Parts

Kit components are shown in *italics*. Where a part number is shown against the descriptions for these kit components, they are also available as separate items. In addition, some parts may be supplied with these kits that are not available as separate items, and are therefore either not listed, or a part number is not shown against the part description in this manual.

Parts List Key

<i>italics</i>	Kit components or parts included are shown in <i>italics</i> . Refer to above notes: Kit Parts.
NI	As a part reference, indicates the part is not illustrated on the diagram.
NOT USED	As a part number, indicates the diagram part reference is not used in this manual.

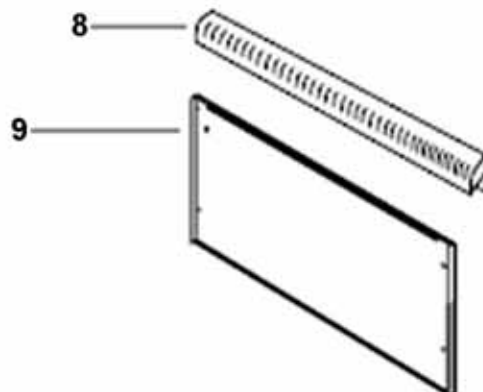
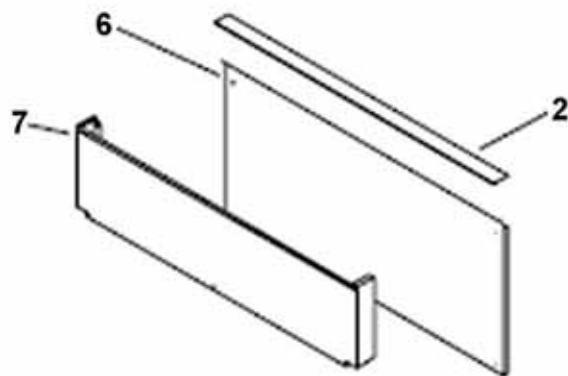
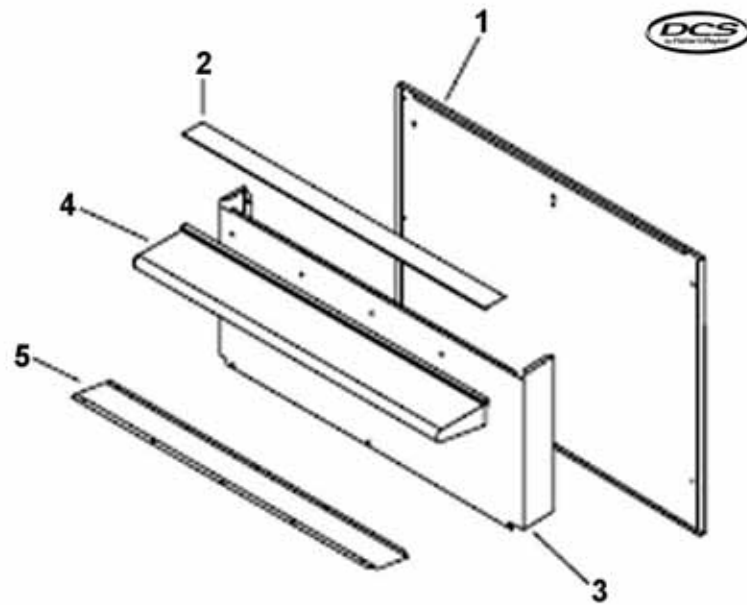
BODY COMPONENTS



BODY COMPONENTS

REF	PART	DESCRIPTION
1	215721	LANDING LEDGE W/A 304
2	216141	VALVE PANEL RD 304 PTD
3	216135	BODY PANEL R/H RD-304
4	216136	BODY PANEL L/H RD-304
5	212177	LEG LEVEL
6	216426	KICK PANEL W/A RD304
7	211346	RECEPTACLE NUOVA STAR
8	216457	DOOR LINER W/A PORC
9	211344	30 DOOR HINGE NUOVA STAR
10	211020	MILLS WINDOW PACK
11	216435	27 DOOR PANEL ASSY W/GLASS
NI	216433	DOOR ASSY RD304
12	211926	LOGO LARGE 96 BLACK OVAL
13	215857	DOOR HANDLE RG304
14	216233	DOOR INSUL RET ASSY RD304
15	211258	SM 1/4-20X1/2 ZN HEX WS SL F
16	211300P	SCREW 8-32X1 TORX FL HD (10 PK)
17	216459	DRIP PAN ASSY RD304
18	211625	LIGHT SWITCH
19	211300P	SCREW 8-32X1 TORX FL HD (10 PK)
20	212245	END CAP DOOR HANDLE PLATED
21	216133	SIDE INS RET R/H
22	216134	SIDE INS RET L/H
23	218078	KIT WINDOW GASKET 12/24/27
24	211284	MS 10-32X5/8 PH RD HD ZH
NI	210987	30 OVEN GASKET

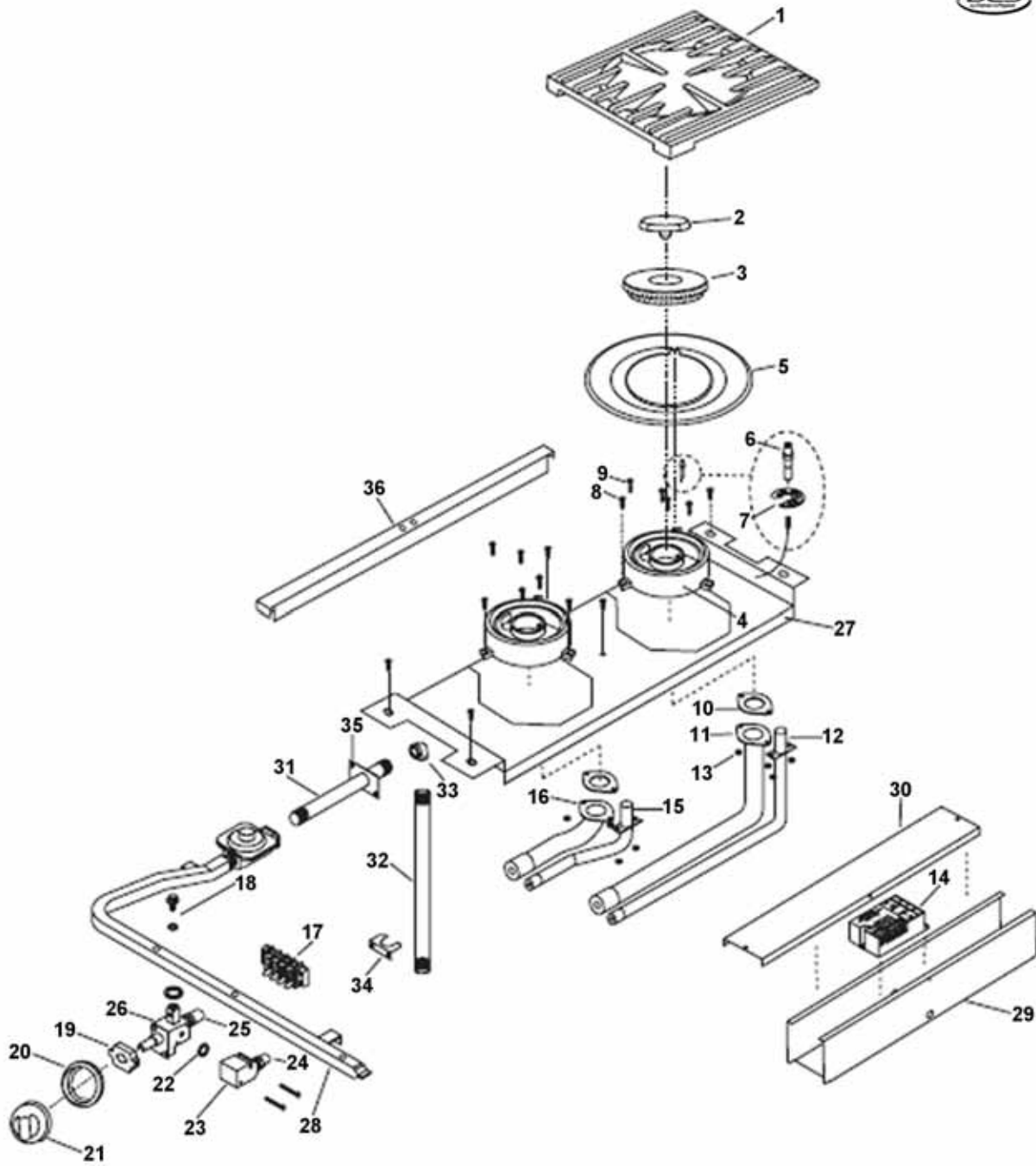
BACK GUARD COMPONENTS



BACK GUARD COMPONENTS

REF	PART	DESCRIPTION
1	215691	BACK SHEET H/S 30
2	215641	TOP LB
3	215683	FRONT H/S 30
4	215961	HIGH SHELF W/A 30
5	215953	SHELF BTM ENCLOSURE 30
6	215633	BACK SHEET LB 30R
7	215625	FRONT SHEET LOW BACK 30
8	215970	TOP WELD ASSY 30 ISLAND TRIM
9	215976	BACK SHEET 30 ISLAND TRIM

TOP BURNER COMPONENTS

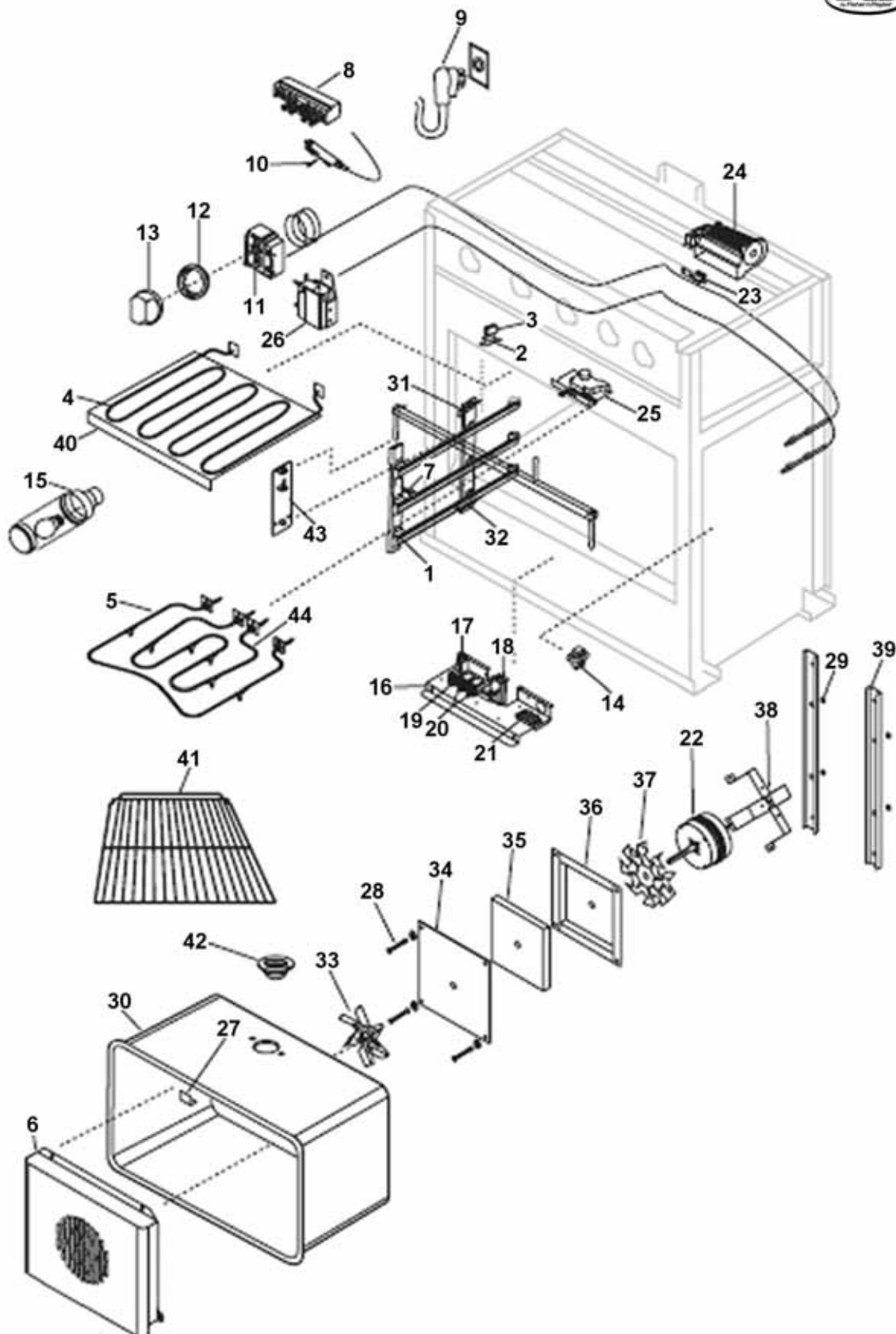


DWG000646 20 JULY 2006

TOP BURNER COMPONENTS

REF	PART	DESCRIPTION
1	210437	TOP GRATE HALF
2	210458	CAP SIMMER TUBE PORC
3	210462	BURNER CAP PORC
4	210461	BURNER BASE DIECAST
5	210430	AERATION BOWL PORC.
6	210390P	ELECTRODE PKD
7	217923	SPRING CLIP (10 PK)
8	218131	SM 10X3/4 PH TR HD TY ABN (10 PK)
9	211287P	MS 10-24X3/4 PH TR HD SS (10 PK)
10	210930	BURNER HEAD GASKET
11	210438	MAIN VENTURI REAR
12	216330	VENTURI SIM W/A REAR PLTD JA
13	218150	NUT HEX 10-24 KEPS SS (10 PK)
14	210828	SPARK MODULE RI 120-E4
15	216328	VENTURI SIM W/A FRONT PLTD JA
16	210439	MAIN VENTURI FRONT
17	211540	TERMINAL BLOCK
18	211454	SCREW (HARPER WYMAN VALVE&PLUG)
19	210801	SPARK IGNITION SW.
20	210935	BEZEL, CHROME PLATED
21	211011	KNOB SIMMER BURNER
22	211010	O RING SIMMER BLOCK
23	210800	SIMMER BLOCK
24	210710P	ORIFICE #79 (PKD)
	210707P	ORIFICE #75 (PKD)
25	210694P	ORIFICE #58 #9701B1658 (PKD)
	218012	ORIFICE - ROTIS #51 NG (PKD)
26	210817	VALVE SIMMER
27	215763	BURNER HANGER
28	212239	MANIFOLD PIPE RG304
29	216361	AIR DUCT BTM RD 304
30	216362	AIR DUCT TOP RD 304
31	212126	INTAKE PIPE
32	212124	PIPE 1/2 NPT 9.82L
33	212164	ELBOW 1/2 - 1/2 FEMALE
34	216236	GAS PIPE SPACER BRKT
35	216235	GAS PIPE RETAINER BRKT
36	215679	BRKT GRATE SUPPORT .75 WIDE

OVEN COMPONENTS

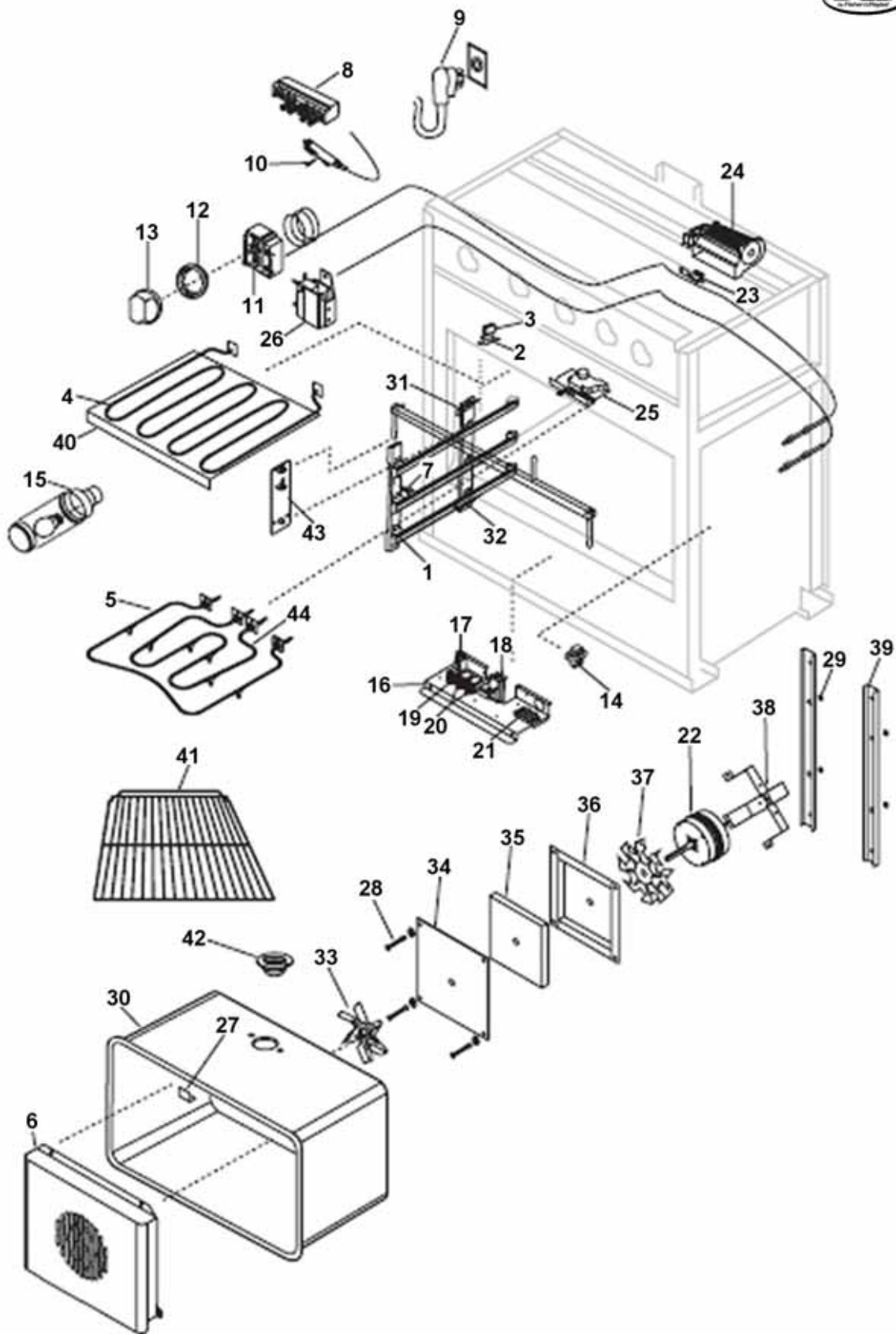


OVEN COMPONENTS

REF	PART	DESCRIPTION
1	216513	RACK-SLIDE ASSY LEFT SIDE
	216514	RACK SLIDE ASSY RIGHT SIDE
2	216653	SERVICE KIT F/RACK INTRLK SW
3	216650	MICRO SWITCH W/A
4	211692	BROIL ELEMENT 30
5	211649	BAKE ELEMENT OUTER 30
6	216417	BAFFLE OVEN W/A RD304 PORC
7	211520	SCREW THUMB MODIFIED
8	211558	5-PUSH BUTTON SW.
9	211678	4 PRONG PLUG 50A
10	211571	PILOT LIGHTS
11	210825	T-STAT MAIN E/R -35
12	210935	BEZEL, CHROME PLATED
13	211080	KNOB T-STAT E/R -35 DCS
14	210769	HI-TEMP CUT-OUT
15	211689	OVEN LAMP ASSY
16	225375	CONTROL BOX
17	210767	50% PULSER
18	211567	CLEAN TIMER
19	211568	FLANGE MOUNT RELAY DPDT
20	211569	FLANGE MOUNT RELAY TPDT
21	211574	TERMINAL BLOCK
22	211750	CONVECTION MOTOR R/H
23	211563	AIR INTER LOCK SW. GCR/CONV. O
24	214628	BLOWER MOTOR ASSY
25	211876	LATCH MOTORIZED DOOR STANLEY
26	210824	T-STAT E/R -25
NI	210987	30 OVEN GASKET
27	231213	CLIP OVEN SEAM
28	211337	HEX BLT 1/4-20X3-1/4 SS
29	211408P	NUT W/RET 1/4-20 BLK (10 PK)
30	216431	OVEN CAN W/A RD304 PORC
31	216113	BRACKET INTERLOCK L/H AZ
32	216114	BRACKET INTERLOCK R/H AZ
33	211631	BLADE.ASSY.RG CONVECTION FAN
34	215805	COVER MOTOR PAD
35	215804	PAD INSUL. MOTOR
36	216014	INSUL MOTOR PAD RG304
37	211580	MOTOR COOLING BLADE
38	216007	BRACKET MOTOR RG304/48
39	216458	SADDLE BRKT CHANNEL RD304
40	216468	REFLECTOR RD304
41	212456	OVEN RACK RD-304

Continued next page

OVEN COMPONENTS



OVEN COMPONENTS

REF	PART	DESCRIPTION
42	210369	CATALYST
43	216208	EDGE GUARD L/H RD
43	216212	EDGE GUARD W/A R/H
44	211707	BAKE ELEMENT INNER 30
NI	210768	HOT WIRE RELAY