



WO WALL OVEN

Parts List

MODEL:
WO-130SS
PRODUCT CODE:
236881



PRODUCT

Brand	DCS
Voltage	110V 60Hz
Model	WO-130SS
Product Code	236881

Fisher & Paykel Appliances
5900 Skylab Road, Huntington
Beach, CA 92647
Customer Care: (888) 281-5698
Fax: (714) 372-7003
www.dcsappliances.com
support@dcsappliances.com

CONTENTS

OVEN CAN COMPONENTS	6
OVEN DOOR COMPONENTS	8
DISPLAY COMPONENTS	10
OVEN COMPONENTS	12
BAKE COMPONENTS.....	14
FASTENERS	17

GUIDE TO USING THIS MANUAL

The model covered by this manual is listed on the front cover.

The information detailed in this manual is subject to change without notice. The latest version is indicated by the reprint date and replaces any earlier editions.

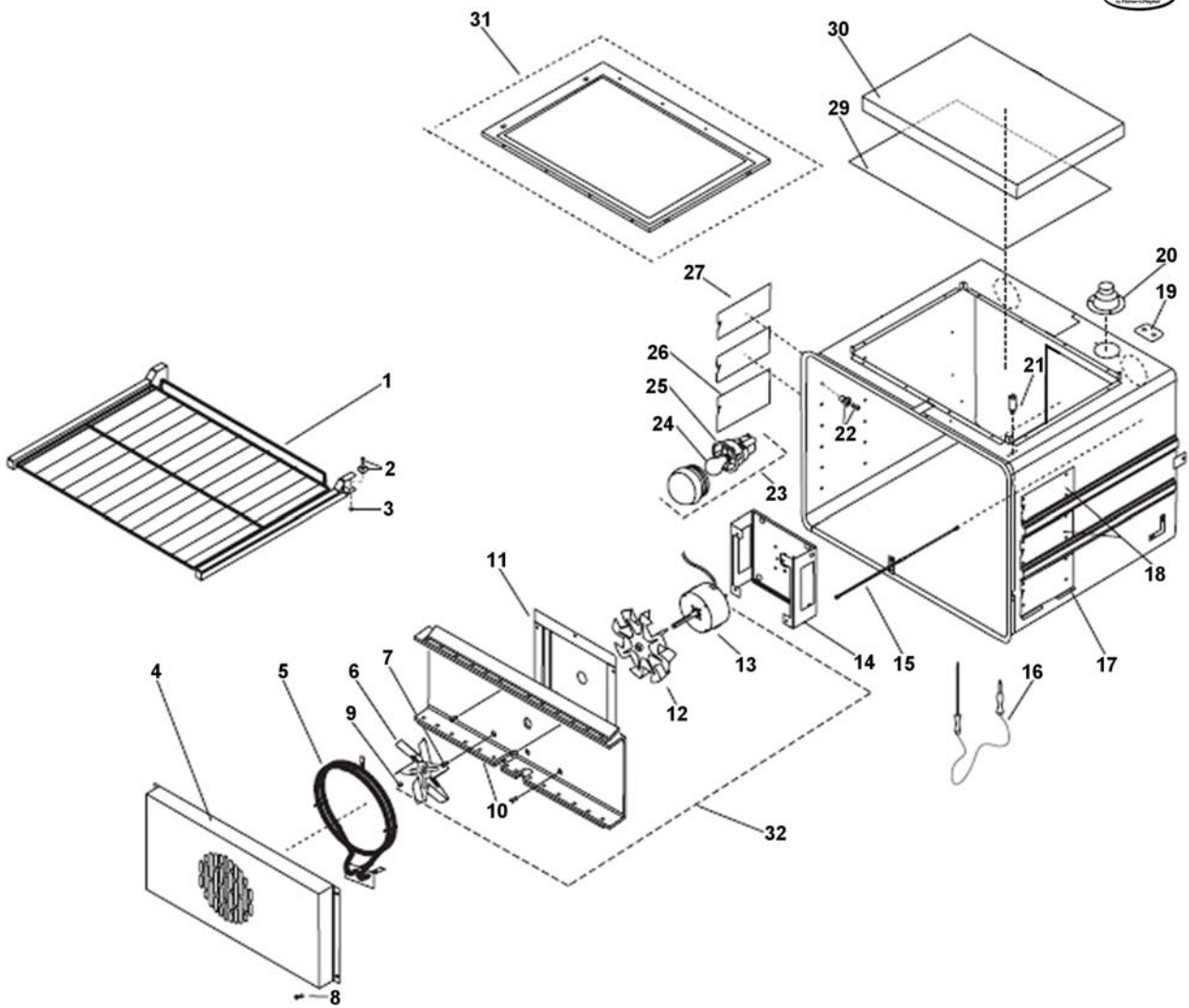
Kit Parts

The components shown in *italics with a part number* are those parts in the kit which are available also as separate items. In addition, some parts may be supplied with this kit which are not available as separate items and are therefore either not listed or a part number is not shown against the part description in this manual.

Parts List Key

NOT USED	As a part, indicates the diagram part reference is not used in this manual.
italics	Kit components or parts included are shown in <i>italics</i> . Refer to above notes: Kit Parts
NI	As a part reference, indicates the part is not illustrated on the diagram.

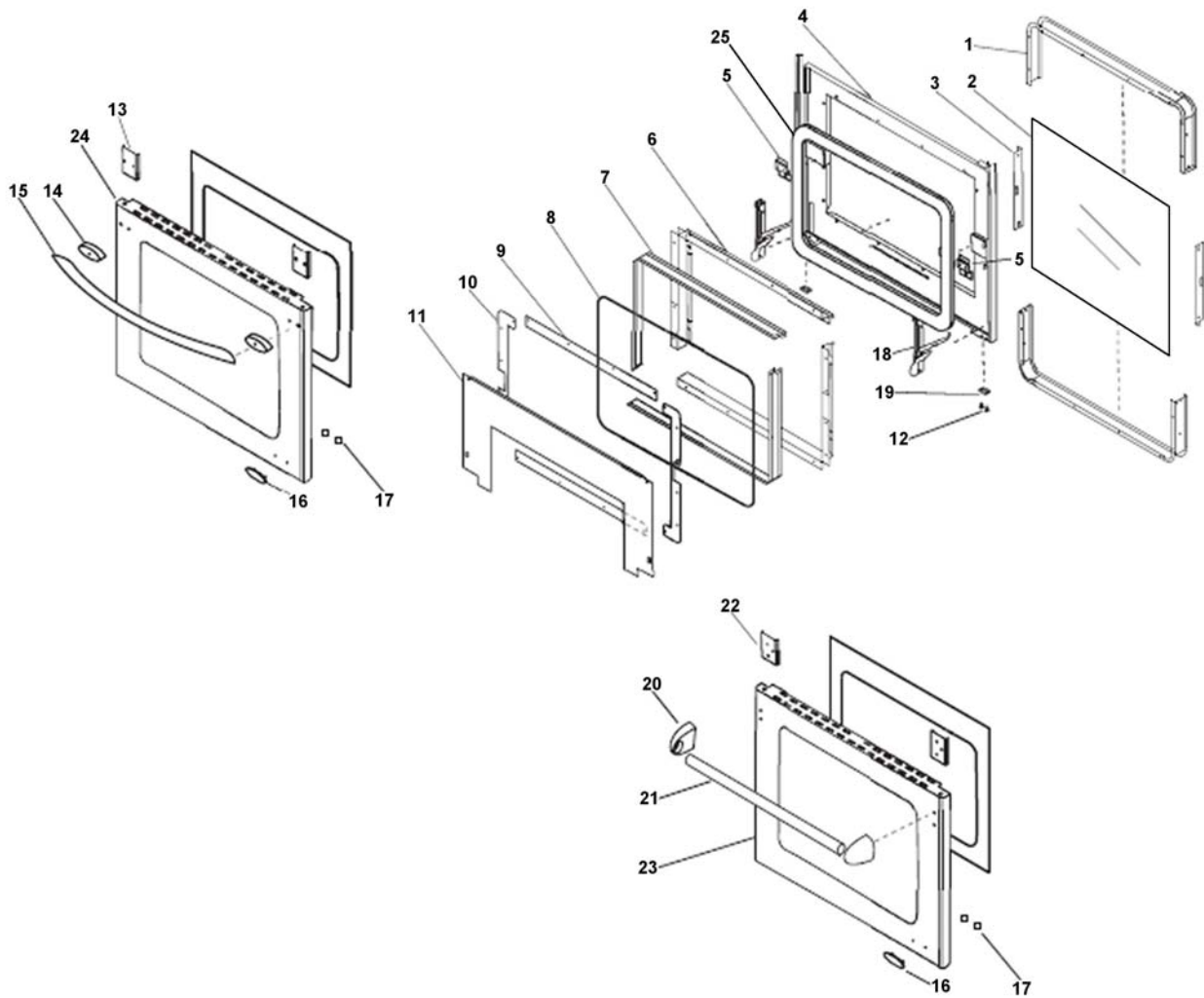
OVEN CAN COMPONENTS



OVEN CAN COMPONENTS

REF	PART	DESCRIPTION
1	217178	RACK ASSY
2	211090	RACK ROLLER VERTICAL
3	218150	NUT HEX 10-24 KEPS SS (10 PK)
4	217203	CONVECTION BAFFLE 30 PORC
5	211703	CONVECTION ELEMENT
NI	211242P	MS 10-24X1/2 PHPN TY F SS 10PK
6	211631	BLADE.ASSY.RG CONVECTION FAN
7	211242P	MS 10-24X1/2 PHPN TY F SS 10PK
8	211242P	MS 10-24X1/2 PHPN TY F SS 10PK
9	211294	SET SCREW 10-32 X 3/16 STAIN
10	217388	PAD CONVECTION W/A
NI	211255	MS 10 X 1/2 FL HD PH TY AB CRS
11	217317	CONVECTION PAD
NI	211242P	MS 10-24X1/2 PHPN TY F SS 10PK
12	211580	MOTOR COOLING BLADE
NI	211255	MS 10 X 1/2 FL HD PH TY AB CRS
13	211877	MOTOR CONV. 120V BRG W/BLADE
14	217099	CONVECTION MOTOR BRACKET
15	211650	TEMP SENSOR
NI	211259	8-32 X 1/4 PHIL PN F-410 SS
16	211710	FOOD PROBE
17	217182	ROLLER SUPPORT LOWER RH W/A
18	217180	ROLLER SUPPORT UPPER RH W/A
19	NOT USED	ITEM NOT USED IN THIS MODEL
20	210370	CATALYST
21	211706	PROBE JACK
22	211090	RACK ROLLER VERTICAL
23	211689	OVEN LAMP ASSY
24	211687	OVEN LAMP REPLACEMENT GE
25	211688	RECEPTACLE
26	217183	ROLLER SUPPORT LOWER LH W/A
27	217181	ROLLER SUPPORT UPPER LH W/A
29	211695	BROIL GLASS
30	211694	BROIL ELEMENT
NI	211250	MS 10-24X 1 PH PN TY F SS
31	217136	RETAINER BROIL GLASS FT/BACK
NI	217137	RETAINER BROIL GLASS LF/RT
NI	211250	MS 10-24X 1 PH PN TY F SS
32	215798	CONV. ASSY 120V BRG W/BLADE
NI	212435	BROILER PAN/TRAY PAN PORC.

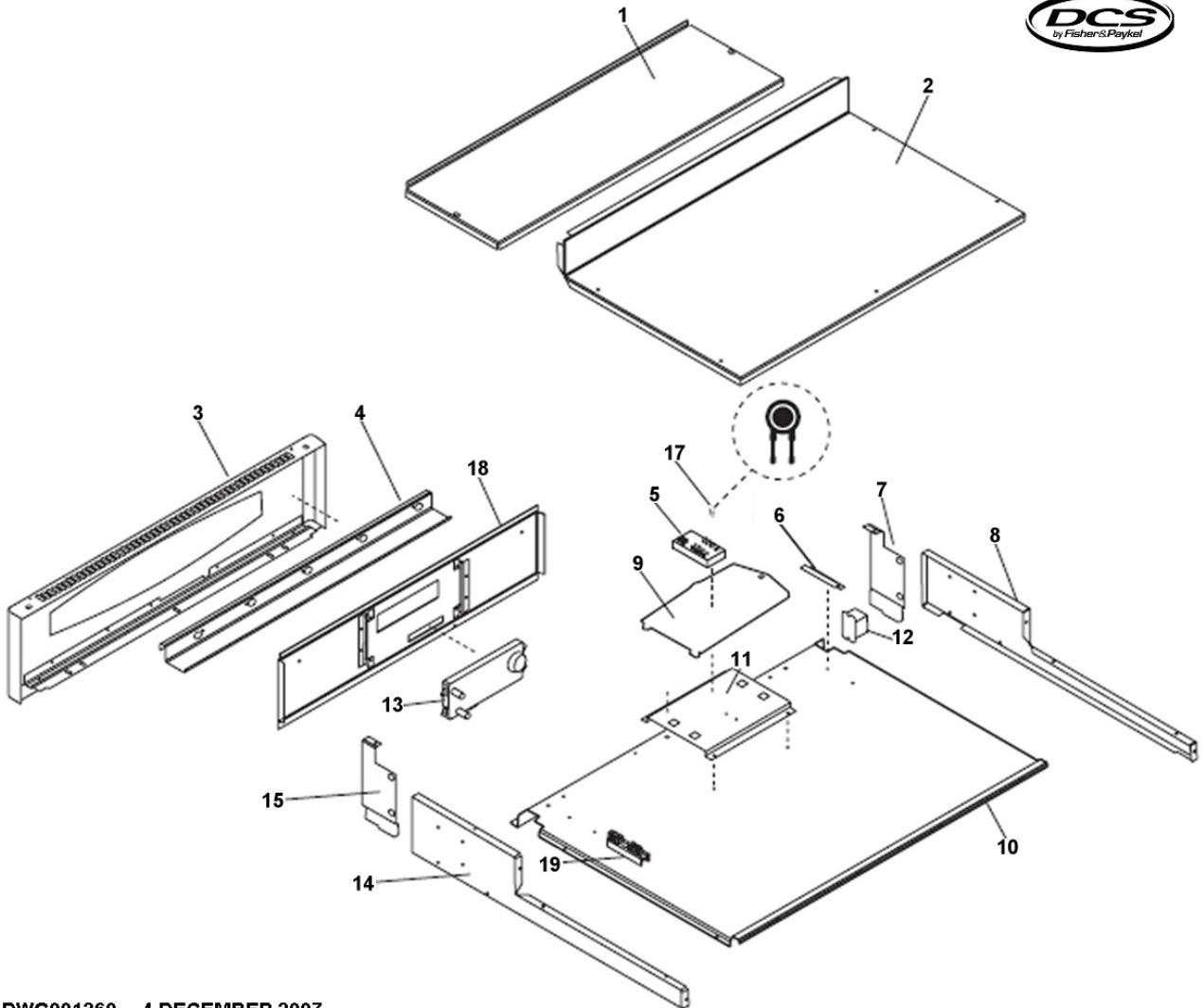
OVEN DOOR COMPONENTS



OVEN DOOR COMPONENTS

REF	PART	DESCRIPTION
1	233429	DOOR SEAL W/A 30 PORC
2	211082	INSIDE DOOR GLASS 230
3	217128	DOOR SEAL CHANNEL
4	217238	DOOR LINER W/A 30 PORC
5	217095	HINGE TOP BRACKET
6	217214	DOOR INSULATION COVER 30
7	217215	GLASS SPACER 30
8	211084	INNER DOOR GLASS 230
9	217213	GLASS COVER TOP/BTM
10	217123	GLASS COVER SIDE
11	217217	DOOR HEAT SHIELD 30
12	211241P	SMS10-24X1/2PHTRTY23ZI (10PK)
13	217100	HANDLE STIFFENER
14	210495	DOOR HANDLE SPACER CHROME PTD
15	210583	DOOR HANDLE TUBE 30
16	211957	LOGO DCS (BLACK on CHROME)
17	211419P	LOGO - CLIP (2 PACK)
18	211344	30 DOOR HINGE NUOVA STAR
19	217102	HINGE BOTTOM PLATE
20	NOT USED	ITEM NOT USED IN THIS MODEL
21	NOT USED	ITEM NOT USED IN THIS MODEL
22	NOT USED	ITEM NOT USED IN THIS MODEL
23	NOT USED	ITEM NOT USED IN THIS MODEL
24	217347	DOOR SKIN ASSY SS W/LOGO
25	217370	BORDER INSIDE GLASS PAINTED
NI	211145	DOOR GASKET

DISPLAY COMPONENTS

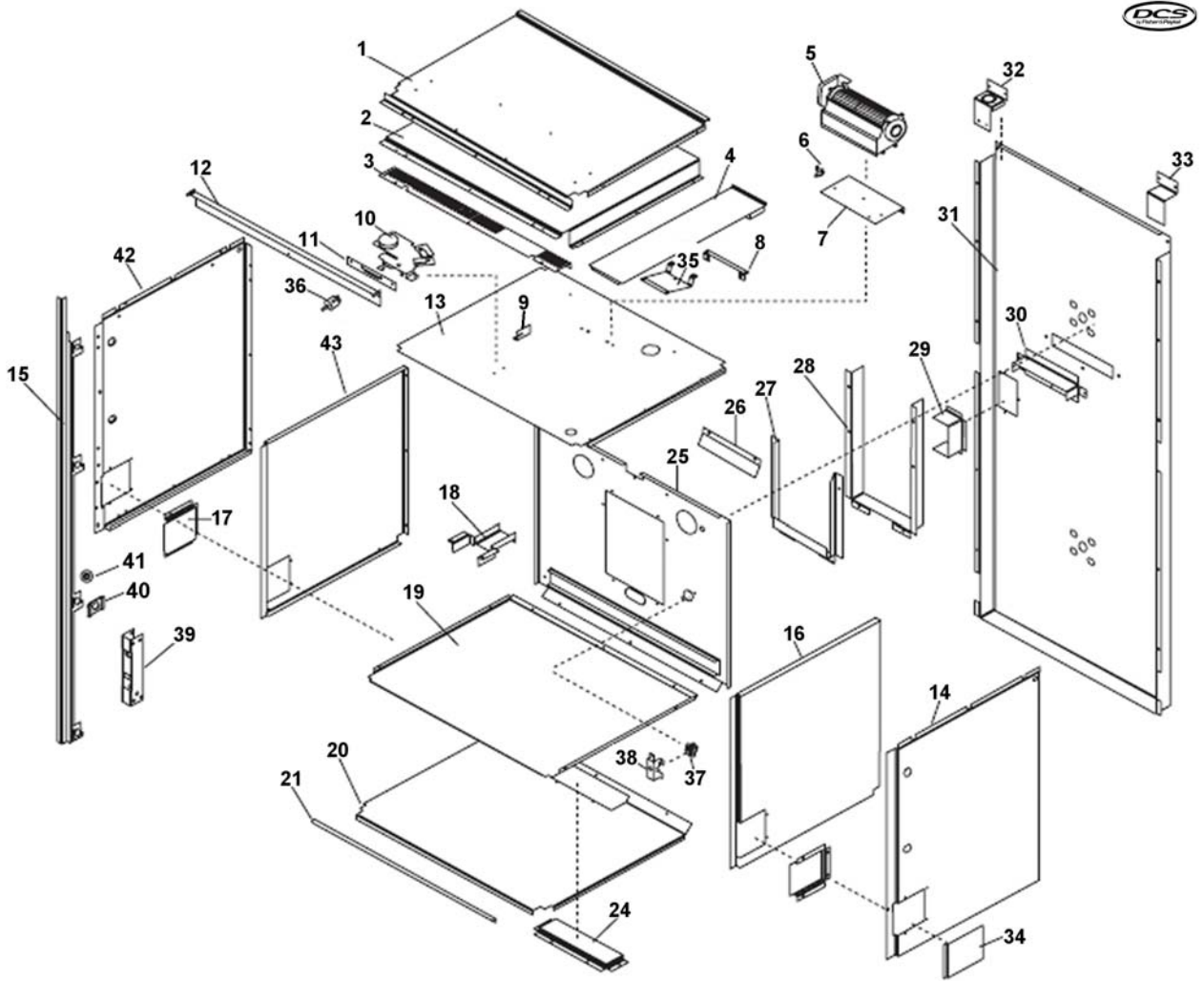


DWG001360 4 DECEMBER 2007

DISPLAY COMPONENTS

REF	PART	DESCRIPTION
1	217220	COVER FRONT CONTROL PTD BLACK
2	217221	CONTROL COVER REAR 30
3	217223	CONTROL PANEL SKIN W/A SS
4	233420	BOTTOM CONTROL MTG BKT 30 SS
5	211700	TERMINAL BLOCK TSI-3
6	217096	RELAY MOUNT ENDS
7	217139	CONTROL PANEL MTG BKT LH
8	217107	CONTROL BOX SIDE LH
9	211698	MAIN RELAY BOARD 30
10	217202	OUTER AJ TOP 30
11	233096	RELAY MOUNT CENTER
12	211712	RELAY SPDT
13	211708	EOC SINGLE
14	217106	CONTROL BOX SIDE RH
15	217138	CONTROL PANEL MTG BKT RH
17	211759	M.O.V. ASSEMBLY
18	217428	KIT CONTROL SYS WO-130 BK/SS
19	211768	TERMINAL BLOCK
NI	211758	WO WIRE HARNESS ASSY

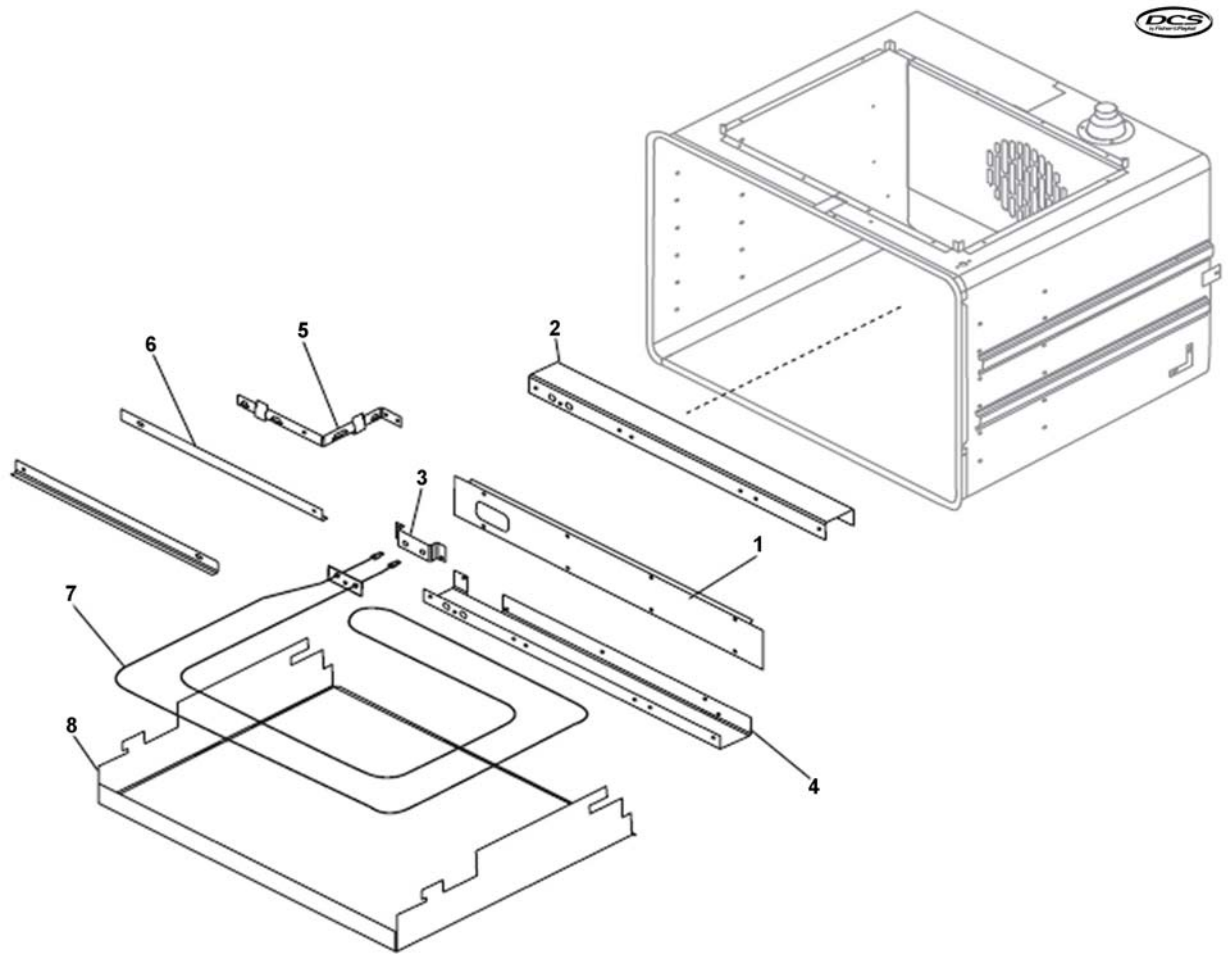
OVEN COMPONENTS



OVEN COMPONENTS

REF	PART	DESCRIPTION
1	217202	OUTER AJ TOP 30
2	233404	AIR DUCT 30
3	217212	LATCH COVER TOP 30
4	233185	CATALYST DUCT W/A
5	211705	BLOWER MOTOR
6	211701	BLOWER THERMOSTAT
7	233250	BLOWER MOTOR BKT
8	233249	CATALYST DUCT BKT
9	217135	LATCH RETAINER
10	211691	DOOR LATCH - STH -1994 CLASS B
11	217134	LATCH MOUNT
12	233415	LATCH COVER 30
13	233414	UPPER AIR JACKET 30
14	217131	OUTSIDE AIR JACKET RH
15	217419	SIDE TRIM W/A L/H PTD BLACK
	217418	SIDE TRIM W/A R/H PTD BLACK
16	217129	INSIDE AIR JACKET RH
17	217105	HINGE POCKET
18	233147	BROIL TERMINAL BOX
19	233402	LOWER AIR JACKET 30
20	233417	LOWER INTAKE DUCT BTM UP 30
21	217211	DRIP BRACKET 30
24	233155	BLOWER MOTOR AIR CHAMBER
25	233401	REAR AIR JACKET
26	233099	CONV TOP INSUL RETAINER
27	233128	BTM CONV INSULATION RETAINER
28	233132	CONVECTION CHANNEL
29	233140	BLOWER MOTOR REAR AIR GUARD
30	233156	CONVECTION DUCT
31	233483	BACK COVER
32	217109	CONTROL BOX BOTTOM RH
33	217108	CONTROL BOX BOTTOM LH
34	233114	HINGE COVER
35	217114	CAT SCOOP
36	211651	DOOR LIGHT SWITCH
37	210770	HI-TEMP CUTOUT
38	233115	HTC BRACKET
39	211476	HINGE RECEPTACLE
40	211117	INSIDE SPACER
41	211118	OUTSIDE SPACER
42	217132	OUTSIDE AIR JACKET LH
43	217130	INSIDE AIR JACKET LH
NI	217204	BOTTOM TRIM 30 SS

BAKE COMPONENTS



DWG000681 21 JULY 2006

BAKE COMPONENTS

REF	PART	DESCRIPTION
1	233423	ELEMENT MOUNTING BRKT 30
2	233139	BAKE BOX REAR BKT TOP
3	233107	BAKE ELEMENT BKT REAR
4	233424	BAKE ELEMENT HOLDER BTM
5	233103	BRACKET LONG BAKE ELEMENT
6	233424	BAKE ELEMENT HOLDER BTM
	233425	BAKE ELEMENT HOLDER TOP
7	211783	BAKE ELEMENT 30 WALL OVEN
8	233405	BAKE ELEMENT BOX 30
NI	233104	BRACKET SMALL BAKE ELEMENT
NI	233175	BAKE ELEMENT ASSY WALL OVEN 30

FASTENERS

PART	DESCRIPTION
211238	SM 10 X 1/2 SL TD HWH SMS, ZIN
211248	SMS 6-32X 3/8 PH PN TY F SS
211231	SM 6 X 1/4 PH PN HD TY A ZI
211259	8-32 X 1/4 PHIL PN F-410 SS
211301	MS 4-40 X 1/4 PH RD HD SS
211358	NUT HEX 4-40 SS
211236	SM 10X 3/8 PH TR HD TY AB NI
211304	HEX BOLT M5-8 X 12mm BLK OX
211232	SM 10X 3/8 SL TR HD TY A BK
211263	SMS 8-32x 1/2 PH PN HD TY F SS
211225	SM 10X 1/2 PH TR HD TY AB ZN
211270	MS 6-32 X 1/2 PH PN HD ZN
211396	NUT HEX 6-32 KEPS ZN
211371P	WASHER FLT SS #10 3/4 (10PK)
218131	SM10X3/4 PHTRHD TYABN (10 PK)
211353	NUT HEX 8-32 LK NYLON INST SS
211255	MS 10 X 1/2 FL HD PH TY AB CRS
211233P	MS10X1/2PHTRHDTYAB BKOX (10PK)
211241P	SMS10-24X1/2PHTRTY23ZI (10PK)
211235	SM 10X 3/8 PH TR HD TY A SS
211253	MS 1/4-20X3/8 SL HX HD WH TY F